

SOUTHBOUND MOTOR TRIMMERS

FULL PRICELIST FOR 2024

Updated: January 2024

If you've had to buy Porsche materials or fittings to make a repair to the trim of your car, you'll be aware of how expensive they are.

We have a range of Original Equipment (O.E.) German materials available:

- The correct carpet by the metre or as ready to fit sets, from 356 right through to current models including salt and pepper as fitted to early 1970's cars.
- Many original cloths including Pinstripe, Logo etc as used during the 1980's.
- Leather, most of the current colour range is available in full or half hides.
- Vinyl for panels and seats.
- Targa outer roof and headliner materials (also ready made covers).
- Mohair hooding for cabriolet models by the metre or supplied ready made. We can also supply new, clear, flexible rear window glass.
- Hood fittings, Tenax studs and buttons (German) black finish.
- Door panel clips, door fittings, Targa roof fittings, seat hex cap bolts and many other accessories (all of the above is sourced from Germany and are the correct fittings or a compatible equivalent).
- **Minimum order £20.00 + VAT Ex. Delivery**

All materials and fittings represent a significant saving over Porsche prices [without sacrificing quality or attention to detail.](#)

**ALL PRICES ARE SUBJECT TO ALTERATION
ALL PRICES PLUS VAT UNLESS MARKED "inc"
VISA/MASTERCARD ACCEPTED**

LIST OF CONTENTS

Seats & seat cover parts

Page 3 to 9

Recaro shell & RS 964 / 993 seat trim
options page 9

Interior Panels

911 Page 9 to 13

RS Page 12 / 14

Trim General

911/964/993 Page 16 to 17

924/944/968 Page 18 to 19

928 Page 18

Boxster 986/911 996 Page 19

356 ABC Page 20

Carpets sets & Floor mats Page 21/22

Individual Carpet parts page 24 to 25

Hoods and Headliners Page 26/27

Targa Roof Pricing/parts page 28/29

Fittings page 30

Materials page 31/32

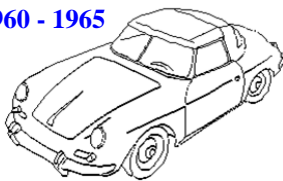
Original Materials and Codes

Leather Page 33

Fabric / vinyls / carpets page 34 to 36

356A 1950 – 1959

356 B&C 1960 - 1965



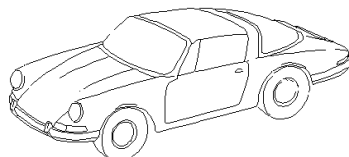
914 1970 – 1976

924 1976 – 1985

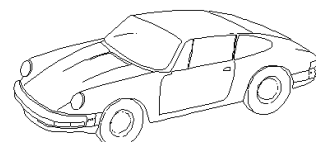
924S 1986 - 1988



911 Targa 1965 - 1973



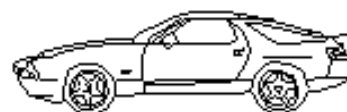
911 Carrera 1974 - 1979



911 Carrera Turbo 1985 - 1989



928 1978 - 1995



944 1982 - 1991



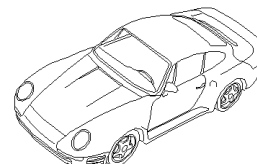
911 Cabrio 1985 -



959 1987 - 1988



911 Carrera 1994 - 1998



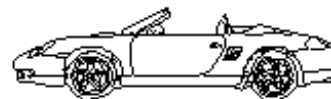
968 1992 - 1995



968 Cabrio 1992 - 1995



986 Boxster 1997 -



993 Carrera RS 1994 - 1995



GT3 1999 -

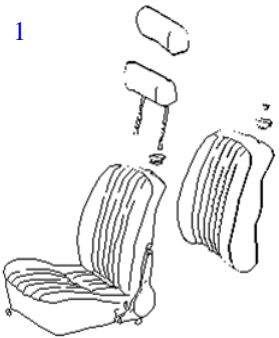


Cayenne 2003 -



SEAT TYPES (YEARS & MODELS)

1



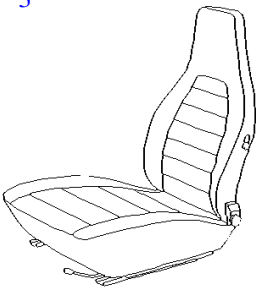
Standard basic seat, 356, 912, 911 up to 1974

2



RS Touring sports seat up to 1974

3



Standard 911 seat 1974 to 1977 and 924 seat up to 1987

4

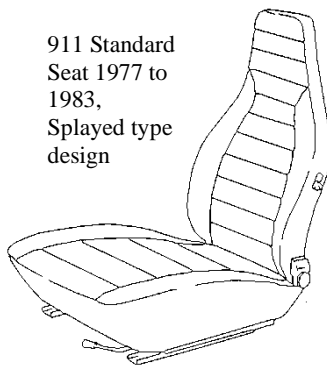
911 Sports Seat



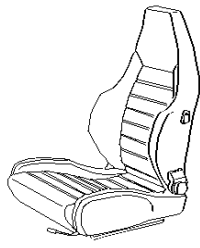
1974 to 1980

5

911 Standard Seat 1977 to 1983, Splayed type design




6



911 Sports Seat 1980 – 1983, 924 Sports & specials up to 1987

7 Available with electric adjustment



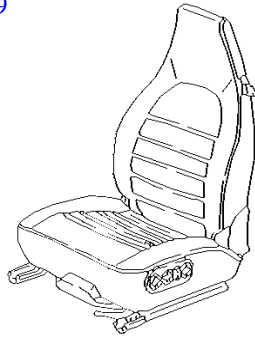
928 1978 to 1983

8 Available standard & sports



928 1983 to 1995

9



911/944 Standard electric 1984 to 1993

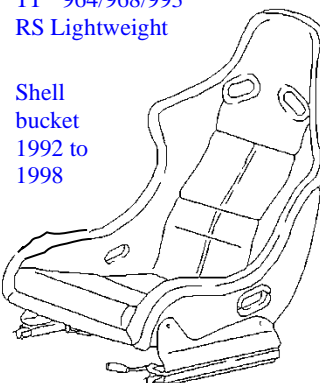
10

911/944 Sports electric 1984 to 1993




11 964/968/993 RS Lightweight

Shell bucket 1992 to 1998



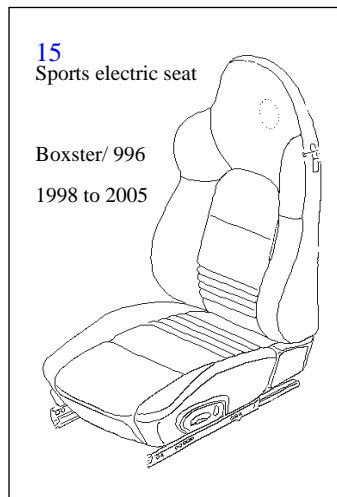
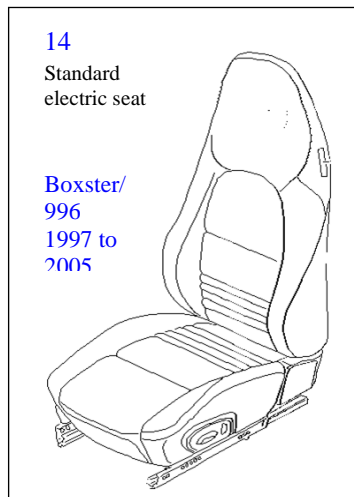
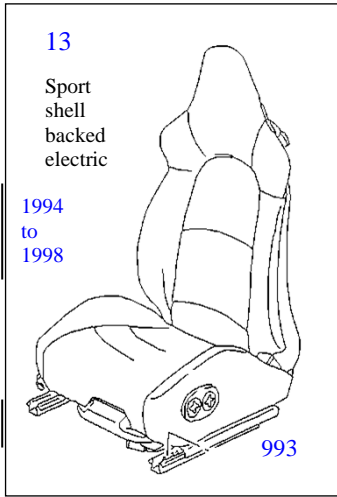
12

993/968 From 1994

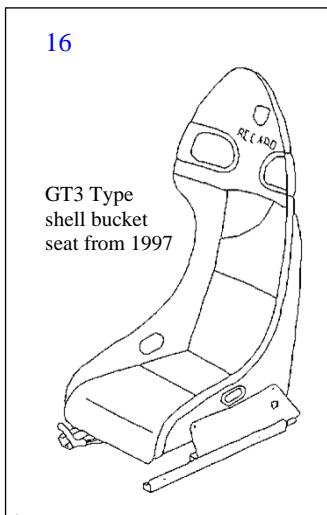


Standard electric seat. Available in Sports electric

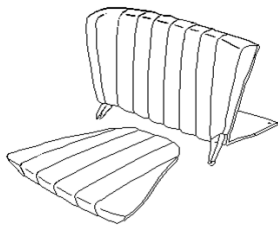
SEATS



REAR SEATS

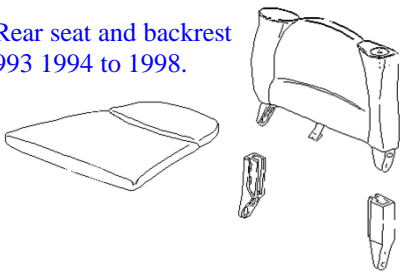


Rear seat and backrest 356/ 912/911 until 1976

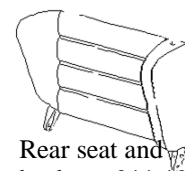
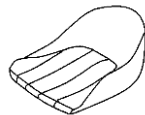


Rear seat and backrest 996 1988 to 2005

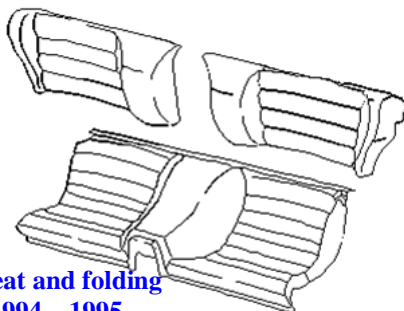
Rear seat and backrest 993 1994 to 1998.



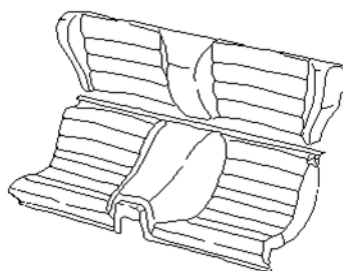
Seating skirt 911 1964 to 1966



Rear seat and backrest 911 1977 to 1993

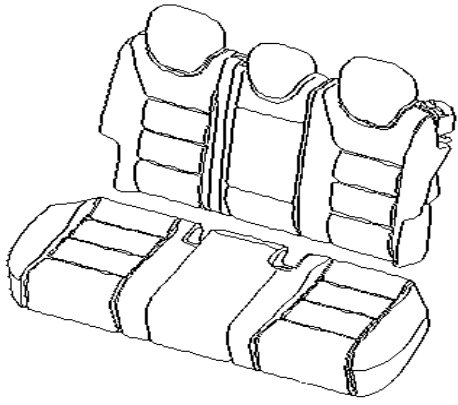


944/968 Rear seat and folding backrest until 1994 – 1995

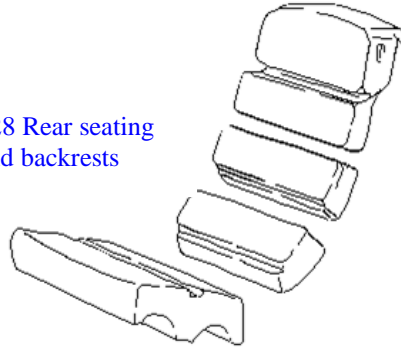


Rear seat and backrest 924 up to 1988, 944 up to 1992

Cayenne Rear Seating



928 Rear seating
and backrests



Rear seat pad,
968 1994 to
1995

SEATS

| RETRIM | Front seats retrimmed in OE leather Per Pair (Ruched see item 10 below) | Front & rear seats retrimmed in OE leather | Front seats retrimmed in OE Vinyl/cloth Per Pair | Front & rear seats retrimmed in OE Vinyl/cloth | Front seat new leather facings OE Per Pair | Front seats new cloth and vinyl facings OE Per Pair | Front seats retrimmed in half leather/vinyl OE Per Pair |
|-------------------|--|--|--|--|--|---|---|
| 356ABC * | £1,885.87 | £2,607.55 | £1,755.43 | £2,450.29 | £1,533.56 | £1,395.81 | £1,841.98 |
| 912 / 911 to 73 | £1,885.87 | £2,607.55 | £1,755.43 | £2,450.29 | £1,533.56 | £1,395.81 | £1,841.98 |
| 911 74 to 83 | £2,036.10 | £2,619.54 | £1,863.45 | £2,549.28 | £1,615.78 | £1,421.70 | £2,001.56 |
| 911 83 to 94 | £2,036.10 | £2,619.54 | £1,863.45 | £2,549.28 | £1,615.78 | £1,421.70 | £2,001.56 |
| 993 / 94 to 98 * | £2,036.10 | £2,619.54 | £1,863.45 | £2,549.28 | £1,615.78 | £1,421.70 | £2,001.56 |
| 924 / 944 / 968 * | £2,036.10 | £3,504.23 | £1,863.45 | £3,081.53 | £1,615.78 | £1,421.70 | £2,001.56 |
| 928 (see item 2) | £2,876.73 | £4,360.35 | £2,804.10 | £4,210.31 | £2,220.66 | £2,053.96 | £2,585.01 |
| Boxster/996/997 | £2,020.62 | £2,744.56 | | | | | |

| SUPPLY ONLY | Front seat covers OE leather | Front and rear seat covers OE leather Perf extra | Front seat covers OE cloth/vinyl Pair | Front & rear seat covers OE | Front seats centre sections Leather OE Perf/cloth, each | Front seat covers half OE leather/vinyl Pair |
|--------------------|------------------------------|--|---------------------------------------|-----------------------------|---|--|
| | 356ABC | £1,274.71 | £1,672.49 | £1,143.63 | £1,530.10 | £110.74 |
| 912 | £1,274.71 | £1,672.49 | £1,143.63 | £1,530.10 | £110.74 | £1,205.78 |
| 911 to 73 | £1,274.71 | £1,672.49 | £1,143.63 | £1,530.10 | £110.74 | £1,205.78 |
| 911 74 to 94 | £1,360.60 | £1,864.60 | £1,213.68 | £1,701.87 | £116.40 | £1,295.05 |
| 993 94 to 98 | £1,360.60 | £1,864.60 | £1,213.68 | £1,701.87 | £122.05 | £1,295.05 |
| 924 / 944 / 968 | £1,360.60 | £2,465.80 | £1,213.68 | £2,317.76 | £116.40 | £1,295.05 |
| 928 (see item 2) | £1,904.16 | £2,860.19 | £1,548.18 | £2,361.83 | | |
| Boxster/996/ 997 | £1,478.13 | £2,147.12 | | | | |

* Needs exchange cover parts.

| | | | |
|----|---|--------------------|--|
| 1 | Perforated leather original spec. | £97.02 | extra per pair of seats D |
| 2 | 928 Electric early type Pre 1984. | £495.33 | extra per pair of front seats. |
| 3 | 993/996 Sports Carbon backed type: Add | £138.12 | for extra time involved per pair front seats |
| 4 | Replace piping only From | £569.15 | per seat. |
| 5 | Head rest frame & foam, untrimmed | £165.51 | B |
| 6 | Seat frame, base, early RS c 1973 | £566.77 | RS Touring part produced in house |
| 7 | Seat frame, back, early RS c 1973 | £566.77 | RS Touring part produced in house |
| 8 | Seats with heating, reuse existing elements 3.2 / 964 / 993 | £104.78 | extra per pair . |
| 9 | New cables, sports seat '74 – '80 | £44.06 | each, short and long |
| 10 | Ruched effect 3.2/964/993/ 928/996 | £356.02 | pair add extra to seat pricing |
| 11 | Special order leather colours | £319.73 or £653.78 | on pair of seats one off colour. (no discount) |
| 12 | Rear seats back rest 993 supply centre part surcharge. | £416.75 | pair |
| 13 | 5 piece foam set sports seats 1980-83 | £486.68 | set |
| 14 | 2 BE Seat Shields 1985 to 1998 in leather | £27.50 | Each |

Rear seats 911 up to 1993 Single cover parts

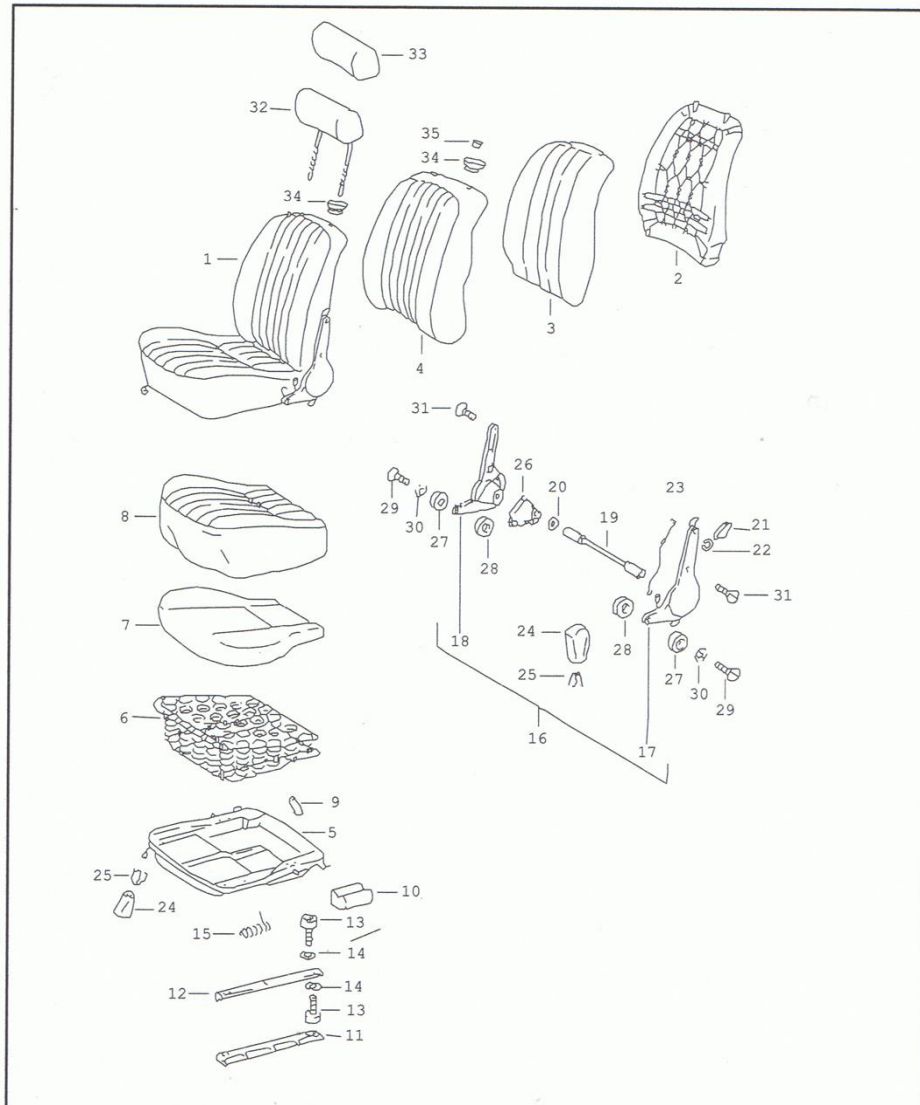
| | | | |
|---|-------------------------------|------|------|
| 1 | Seat pad cover in cloth | £93 | Each |
| 2 | Seat pad cover in vinyl | £74 | Each |
| 3 | Seat pad cover in leather | £97 | Each |
| 4 | Back rest middle part cloth | £91 | Each |
| 5 | Back rest middle part vinyl | £74 | Each |
| 6 | Back rest middle part leather | £101 | Each |
| 7 | Back rest wing parts cloth | £32 | Each |
| 8 | Back rest wing parts vinyl | £32 | Each |
| 9 | Backrest wing parts leather | £43 | Each |

seats : 356 A , B , C / 911 / 912 upto 1973

| | | | |
|----|---|---------|---------------------------------|
| 1 | Retrim seat complete in vinyl / cloth from | £852.54 | per seat (Plus parts see below) |
| | Retrim seat complete in leather from | £932.32 | per seat (Plus parts see below) |
| 2 | Backrest refurb parts rubber support rings each | £2.32 | E |
| | Hessian pad each | £33.72 | D |
| 3 | Foam pad back support each | £123.98 | D |
| 4 | Backrest cover supply, vinyl / cloth each from | £317.33 | B |
| | Leather from | £383.58 | B |
| 5 | Metal pan base shot blast / powder coat black each | £52.31 | |
| 6 | Seat spring base unit each | £177.85 | A |
| 7 | Seat base foam each | £120.96 | B |
| 8 | Seat base cover supply vinyl / cloth each | £266.19 | B |
| | Leather from | £320.81 | B |
| 9 | Option : per seat , remove all trim / covers , replace rubber support rings , replace hessian pad , repad / reuse existing padding , labour | £334.76 | plus parts. |
| 10 | Hessian for seat base each | £8.14 | E |
| 11 | Recliners / hinges as parts No 16 black type recon each | £87.18 | B |
| | As above but chrome type rechrome etc each | £151.11 | |
| 12 | Headrest, flat base type recon metal plate to OE finish each | £27.90 | |
| 13 | Seat shield plastic see no. 26 in figure below | £65.09 | each |

All prices + vat

| Model | Year | MG | SG | Illustration | Restrictions | Update | | | |
|-------|------|----|----|--------------|--------------|--------|-------|------------|--|
| 911 | 68 | 8 | 08 | 808-05 | - | 165 | 10:46 | 06.10.2011 | |



Back rest covers, per seat for 356/912/911/SC/911 3.2/964/924/944/968

| | | | | |
|---|--------------------------|------|--|---|
| 1 | Cloth/vinyl | £381 | | B |
| 2 | All leather | £462 | | B |
| 3 | All leather/Perf centres | £496 | | B |
| 4 | Leather/cloth | £422 | | B |
| 5 | Leather/cloth/vinyl | £422 | | B |

For Sports Seat options & Special Order Colour £POA**Front seats, per seat for 356/912/911/SC/911 3.2/964/924/944/968**

| | | | | |
|---|-------------------------------|---------|--|---|
| 1 | Cloth/vinyl | £319.91 | | B |
| 2 | All leather | £377.19 | | B |
| 3 | All leather with perf centres | £442.40 | | B |
| 4 | Leather/cloth | £359.29 | | B |
| 5 | Leather/cloth/vinyl | £359.29 | | B |

For Sports Seat options & Special Order Colour £POA**Early RS Sports Seat parts, Pre 1974**

| | | | | |
|----|---|---------|-----------|---|
| 1 | Complete reproduction seat less sub-frame | £POA | | B |
| 2 | Re-spray hinges in OE Crackle finish | £89.30 | each | |
| 3 | Foam seat bolster, LH or RH | £69.06 | each | D |
| 4 | Foam seat cushion | £54.77 | each | D |
| 5 | Foam backrest bolster, LH or RH | £77.40 | each | D |
| 6 | Foam backrest centre cushion | £52.40 | each | D |
| 7 | Set of 6 foams for 1 complete seat | £404.84 | per set | B |
| 8 | Elastics x 4 pieces for early RS touring seats | £35.72 | per set | D |
| 9 | Elastic off the roll | £11.91 | per metre | D |
| 10 | Early headrest | £173.84 | each | C |
| 11 | Elap repro head rest | £190.51 | each | |
| 12 | Early headrests covers, vinyl | £23.81 | each | B |
| 13 | Early headrests covers, leather | £29.77 | each | |
| 14 | M8 Stainless Phillips machine screws | £1.19 | each | B |
| 15 | Early type tipping console | £POA | | |
| 16 | Rs sports subframe restoration, strip, shotblast, paint | £194.08 | | |
| 17 | Head rest Ferrell for sports seat (1973) | £10.12 | | |
| 18 | Wire Clips for Elastic webbing | £1.70 | each | |

Early RS lightweight seats

| | | | | |
|---|---|---------|----------|---|
| 1 | RSR Type, retrim only, black cloth & no foam work | £860.87 | per pair | B |
| 2 | RSR Type, foam or re-foam | £182.18 | per pair | B |

Piping

| | | | | |
|---|---|--------|-----------|---|
| 1 | Piping, leather supplied ready to use per 80" length | £35.13 | | D |
| 2 | Piping, vinyl supplied ready to use per 80" length | £23.23 | | D |
| 3 | Pre-made cushion piping various colours, not OEM, vinyl | £2.98 | per metre | |
| 4 | Pre-made cushion piping various colours, not OEM, Plastic | £1.48 | per metre | |

Foam

| | | | | |
|---|---|--------|------|---|
| 1 | Base units for 2.7/SC/924/944/3.2/964 subject to availability | | | |
| 2 | Foam bolster for standard sports seats 1975 to 1983 911 | £P.O.A | | B |
| 3 | Foam backrest for standard sports seats 1975 to 1983 911 | £P.O.A | | B |
| 4 | Foam rear seat pads for 911 2.4/Sc/3.2 | £41.67 | each | D |

RS seats, Recaro / SPG / Pole positions / mounts / runners:

| | | | | |
|------|---|-----------|------------------|---|
| 1 | Pre '74 mount (from runners to floor) | £86.63 | per set (1 Seat) | |
| 2 | Pole Position Side Mounts (ours) | £109.73 | per set (1 Seat) | B |
| 3 | Double Locking Runners Recaro | £133.00 | per seat | A |
| 4 | Base frame and adaptors available for all the above from | £POA | | B |
| 5 | Recaro Sport trimmed by us in OE + colours to OE spec | £ POA | each | B |
| 6 | Seat runners with double angle bracket | £133.00 | per seat | A |
| 7 | Side mounts, black steel, with Recaro on sides | £190.75 | per seat | A |
| 8 | Shells painted-sprayed in OE Porsche colours | £181.91 | each | A |
| 9 | SPG ready to fit 3.2 964/993, install leather including perf | £2,102.91 | each | B |
| 10 | RS 92 Shell Bucket/SPG seat, retrim in leather including perf | £1,017.50 | each | B |
| 11 | RS 92 Shell Bucket/SPG seat, retrim in cloth, from | £876.82 | each | B |
| 12 | RS 92 Shell Bucket/SPG seat, retrim in leather, 3 colour cushions | £1,237.01 | each | B |
| 13 | RS 92 shell bucket? SPG seat retrim in leather, 2 colour (993) | £1,120.58 | each | B |
| 14 | Replacement RS seat cushion set (pair), leather with perf centre | £POA | each | B |
| 15 | Retrim original cushions in perforated leather or Alcantara | £546.96 | per seat | B |
| 16 | Retrim cushions only in OEM cloth or vinyl | £504.50 | per seat | B |
| 17 | RS 92/Outer horseshoe cover supplied & fitted in leather | £694.91 | each | B |
| 18 | RS 92/ Outer horseshoe cover supplied in leather | £596.67 | each | B |
| 19 | RS 92/ Outer horseshoe cover supplied & fitted in cloth | £544.53 | each | B |
| 20 | RS 92//968 Outer horseshoe cover supplied in cloth | £477.82 | each | B |
| 21 | Alloy Spacer, 25 x 5 x 8, for SPG, Pole position etc | £2.15 | each | |
| 22 | Air lumbar, larger, clear with inflator | £POA | | |
| 23 | SPG/Pole position bolts kit: 4x M8x25; 6x M8 shallow head 8x M8x30; 1x 3 hole plate, M8 Nylock nuts | £10.92 | for 2 seats | |
| 24 | Set of cloth B80 covers for all cushions 968 CS | £413.55 | per seat | |
| 25 | Set of cushion covers for RS 92 964 triple colour leather | £768.88 | per seat | |
| 25A. | 993 RS single colour grey E23 leather cushion covers per seat | £694.91 | | |
| 25B. | Set of foam cushion parts RS 964 per seat + 968 cs + 993 RS | £140.91 | | |
| 26 | Set of single colour Alcantara cushion covers £446.13 supply | £750.70 | fitted per seat | |
| 27 | Set of O.E.M cloth Recaro SPG seat and cushion covers | £309.26 | per seat | |
| 28 | Lumbar pad RS / speedster / 968 supply | £35.18 | each | |
| 29 | Wedge foam RS 964 | £48.51 | | |
| | | trimmed | £111.57 | |
| 30 | Cloth with black leather, bond to shell | £58.21 | | |
| | | fitted | £92.17 | |
| 31 | SPG / Pole cover supplied (off seat) by customer Porsche crest | £61.86 | each | |
| 32 | Porsche embossed crest | £55.79 | each | |
| 33 | Pole/SPG Seat Belt Rose and Screw Set = 2 Roses/4 Screws | £20.92 | | |
| 34 | One off leather (min 1 x hide approx. 5m ²) | £POA | | |
| 35 | Special order Porsche OEM colour leathers per pair seats from | £333.80 | extra | |
| 36 | SPG black cloth cover | £162.51 | | |
| 37 | Fitting of covers to new foams | £50.02 | per seat | |
| 38 | 5 piece cut foam part set = bolster + headrest 968 cs/964 RS/993 RS | £95.20 | per set | |
| 39 | Seat tension wires – SPG. Pole | £18.20 | each | |
| 40 | "Recaro" logo (on rear of 964RS Shells) | £23.80 | each | |

INTERIOR PANELING

911 Pillar trims:

| | | | | |
|---|--|---------|------|---|
| 1 | B Pillars, fitted on own, lower part, leather | £118.85 | each | B |
| 2 | B Pillars fitted as part of retrim, lower part, leather | £84.89 | each | B |
| 3 | B Pillars fitted on own, lower part, vinyl | £99.45 | each | B |
| 4 | B Pillars fitted as part of retrim, lower part, vinyl | £71.56 | each | B |
| 5 | B Pillars supply only, lower part, black leather (colours POA) | £58.00 | pair | B |
| 6 | B Pillars supply only, lower part, vinyl (coupe+targa+cab) | £45.00 | pair | B |
| 7 | B Pillar uppers, coupe, fitted. Leather | £90.96 | each | B |
| 8 | B Pillar uppers, coupe, fitted. Vinyl | £75.19 | each | B |

| | | | | |
|----|--|---------|--------|---|
| 9 | B Pillar uppers, coupe, supply only, black leather (colours POA) | £53.00 | pair | B |
| 10 | B Pillar uppers, coupe, supply only, vinyl | £41.80 | pair | B |
| 11 | B Pillar uppers, Targa 993, leather fitted with retrim | £77.62 | each | B |
| 12 | B Pillar uppers, Targa 993, vinyl fitted with retrim | £60.64 | each | B |
| 13 | A Pillar upper, when fitted with dash, black leather.(coupe) (colours POA) | £84.89 | each | B |
| 14 | A Pillar upper, when fitted with dash, vinyl. (coupe) | £67.91 | each | B |
| 15 | A Pillar supply only, leather (coupe) | £59.00 | | D |
| 16 | A Pillar supply only, vinyl (coupe) | £47.00 | pair | B |
| 17 | Targa roll bar forward part trimmed & fitted, vinyl | £246.75 | | B |
| | supply | £47.25 | | |
| 18 | Targa roll bar, slot in part trimmed & fitted, vinyl | £254.10 | | B |
| | supply | £50.93 | | |
| | out of car | £198.45 | | |
| 19 | Targa 3pc windscreen surrounds | £81.90 | supply | D |
| 20 | Targa front windscreen frame surround (+cab) screen out | £602.74 | | |
| | dash out | £640.33 | | |

Door Bins:

| | | | | |
|---|---|------|------|---|
| 1 | Door Bins, OEM originals trimmed ready to fit | £454 | each | B |
| 2 | Door Bins, aftermarket trimmed ready to fit (Bare £177) | £294 | each | B |
| 3 | Door Bins, OEM originals untrimmed | £363 | each | B |
| 4 | O.E.M 2 part door bins 68-74 | £POA | | |
| 5 | Door bins re carpeted | £113 | | |
| 6 | RS 964 seat belt cover in OE 5FV black carpet | £134 | each | B |

Panel sets:

| | | | | | |
|----|--|--------------|---------|------|---|
| 1 | 2 door panels with stitched detail 911SC/3.2/964, supplied, | leather | £509.62 | C | |
| 2 | 2 door panels with stitched detail, supplied and fitted, | leather | £610.83 | B | |
| 3 | 2 door panels with stitched detail, supplied, | vinyl/ cloth | £422.70 | C | |
| 4 | 2 door panels with stitched detail, supplied and fitted, | vinyl | £544.15 | B | |
| 5 | 2 door panels, plain, supplied, leather 74-77 | | £372.69 | C | |
| | | fitted | £474.50 | C | |
| 6 | 2 door panels, plain, supplied, vinyl/cloth 74-77 | | £353.64 | C | |
| 0 | | fitted | £451.28 | C | |
| 7 | 2 door panels, supplied, untrimmed but inc ¼" foam | | £105.98 | D | |
| 8 | 2 door panels for up to 1968, 911 with pockets, leather. Supplied | | £670.36 | B | |
| 9 | 2 door panels for up to 1968, 911 with pockets, vinyl. Supplied | | £575.11 | B | |
| 10 | 2 door panels 912 with elasticated pocket, leather supplied | | £564.40 | B | |
| 11 | 2 door panels 912 with elasticated pocket, vinyl supplied | | £482.23 | B | |
| 12 | 2 door panels for OE door bin arrangement, 1968-1974, leather supplied | | £364.35 | B | |
| 13 | 2 door panels for OE door bin arrangement, 1968-1974, vinyl, supplied | | £298.86 | B | |
| 14 | 2 door panels for OE door bin arrangement, 1968-1974, leather, supplied & fitted | | £445.33 | B | |
| 15 | Door panel cover parts, 911 Sc/3.2, leather | | £176.22 | each | D |
| 16 | Door panel cover parts, 911 Sc/3.2, vinyl | | £139.31 | each | D |

Capping sets:

| | | | | |
|---|--|---------|---------|---|
| 1 | Capping set of 4 pieces along front & rear panels | Leather | £170.87 | C |
| 2 | Capping set of 4 pieces along front & rear panels | Vinyl | £134.55 | C |
| 3 | Capping set of 4 pieces along front & rear panels, Targa/993 | Leather | £185.75 | C |
| 4 | Capping set of 4 pieces along front & rear panels, cut parts only | Leather | £95.26 | C |
| | | Vinyl | £60.90 | C |
| 5 | Capping set of 2 pieces along front panels only, Trimmed | Leather | £116.69 | C |
| 6 | Capping set of 2 pieces along front panels only, Trimmed | Vinyl | £91.69 | C |
| 7 | Capping set of 2 pieces along rear panels only, Targa/Coupe, Cut Parts | Leather | £65.49 | C |
| 8 | Capping set of 2 pieces along rear panels only, Targa/Coupe, Cut Parts | Vinyl | £61.92 | C |
| 9 | Capping set of 2 pieces along rear panels only, Targa/993, Covers | Leather | £144.07 | C |

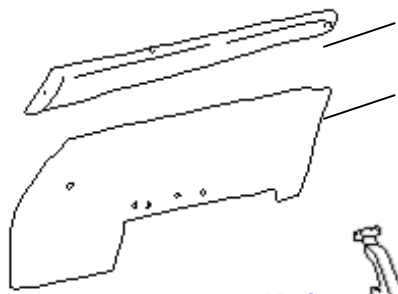
Supply only ready to fit 911

| | | | | |
|---|---|---------|------|---|
| 1 | Front door panels, leather including infills for 993, exchange part | £588.32 | pair | C |
| 2 | Front door panels, vinyl, including infills for 993 exchange part | £497.41 | pair | D |

INTERIOR PANELS

911 1968 to 1974

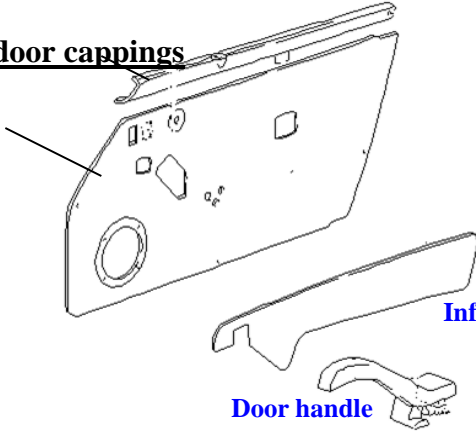
911(993) 1994 to 1998



No 1. Front door cappings

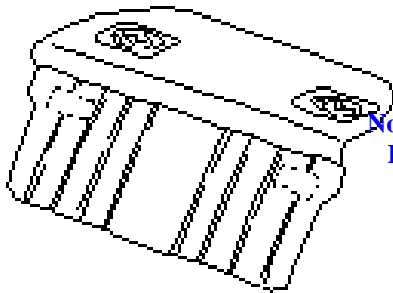
No 2 Door panels

No 8. Early door handle up to 1974

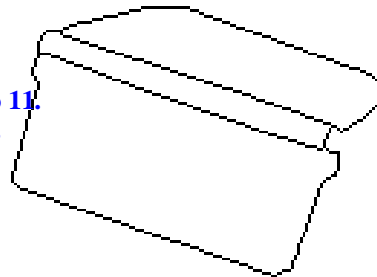


Infill panel

Door handle

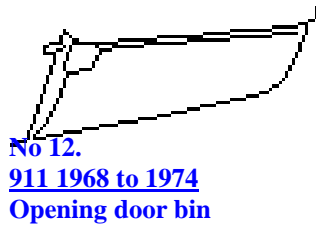
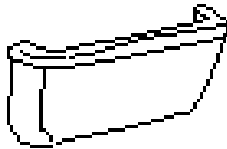


No 10. Rear decking panels

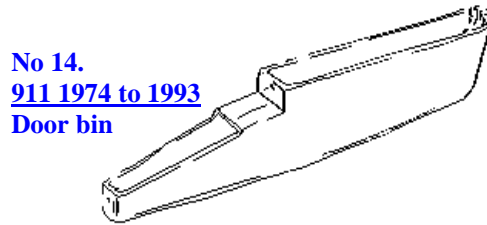


No 11

No 13. 911 1968 to 1974 Forward door bin



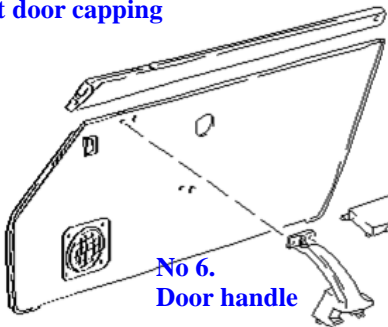
No 12. 911 1968 to 1974 Opening door bin



No 14. 911 1974 to 1993 Door bin

911 1976 to 1993

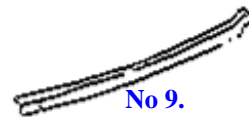
No 3. Front door capping



No 6. Door handle

No 4. Door panel.

No 5. Door bin lid



No 9. Rear Capping

No 16. Lower 'B' Pillar trim Cover Padding

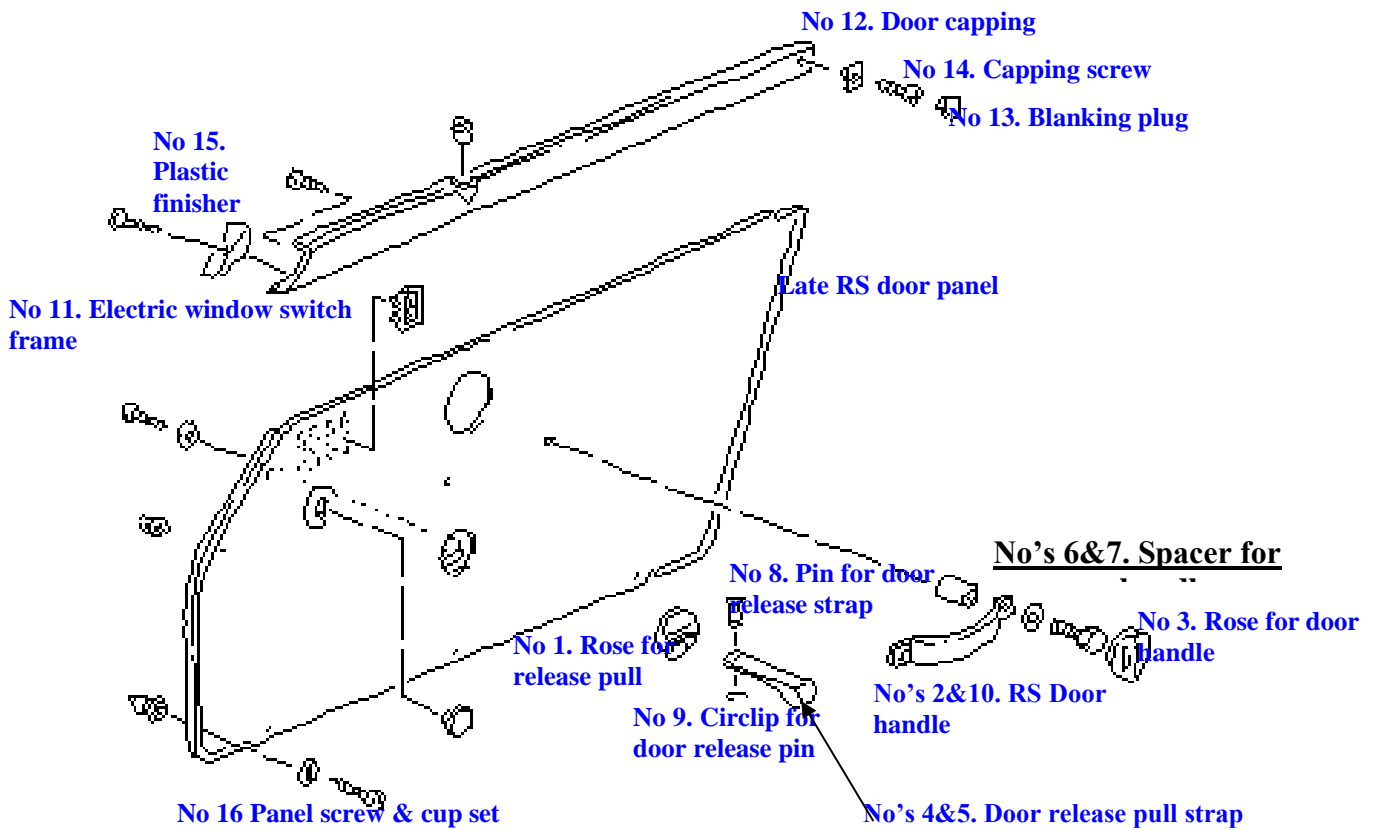


No 7. Coupe wheel arch panel

INTERIOR PANELS

RS door panels and parts, Late Type

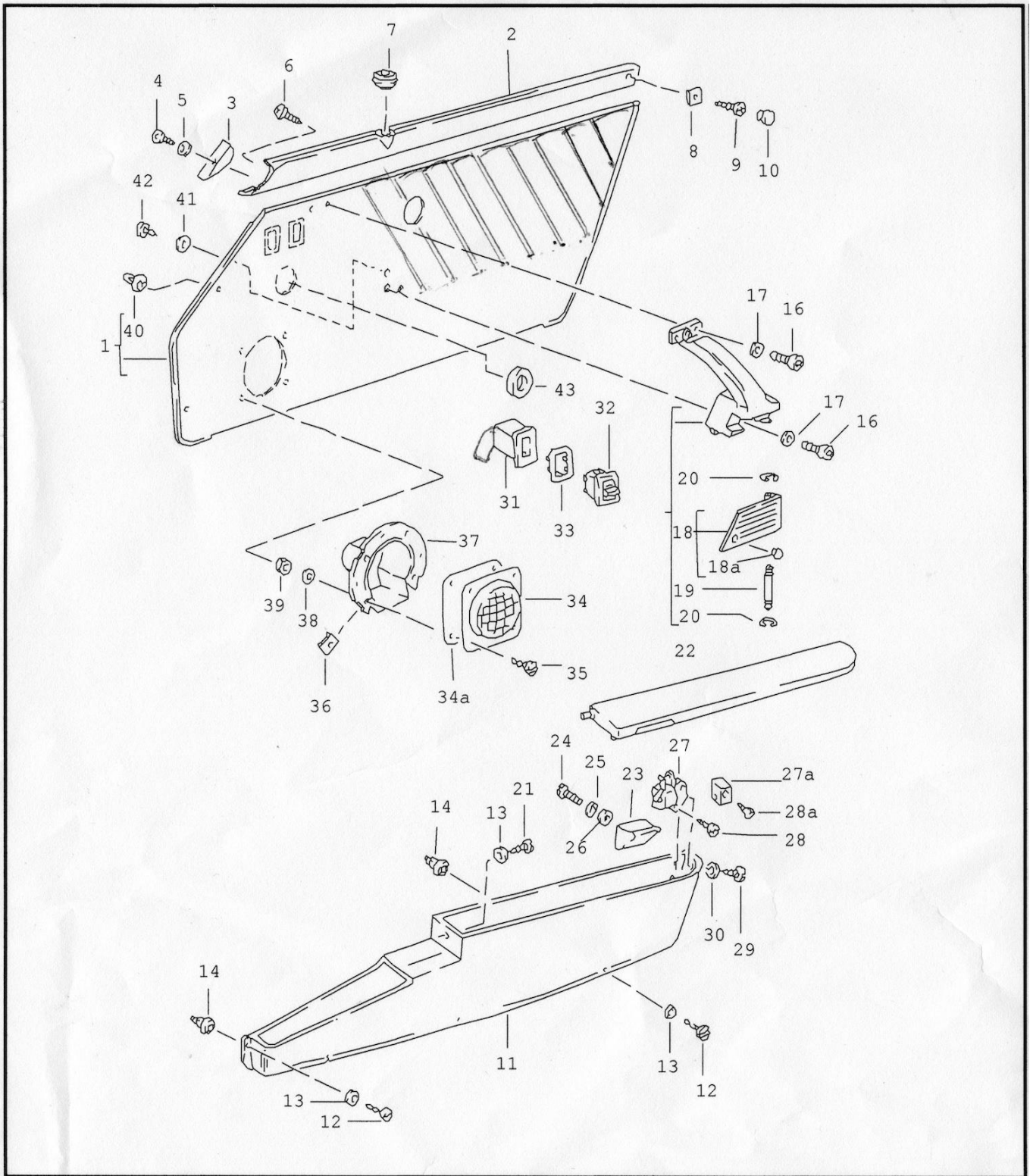
911Sc/3.2/964/993



Options on panels (continued)

- | | |
|--------------------------------------|---|
| 7. Spacer for handle, ours | B |
| 8. Pin for door release strap | B |
| 9. Circlip for door release pin pull | B |
| 10. 964 RS '92 door handle, leather | B |
| 11. Electric window switch frames | B |
| 12. Door capping | |
| 13. Blanking plug | |
| 14. Capping Screw | |
| 15. Plastic finisher | |
| 16. Panel screw and cup | |

| Model | Year | MG | SG | Illustration | Restrictions | Update |
|-------|------|----|----|--------------|--------------|--------|
| 911 | 89 | 8 | 07 | 807-10 | | 165 |



993

| | | | | |
|----|---|-----------------|------|---|
| 1 | 993 door panels including infill panel, retrim and fit in Leather | £708.75 | pair | C |
| 2 | 993 door panels including infill panel, retrim and fit in Vinyl | £596.40 | pair | C |
| 3 | Supply cut parts in leather for panel only, not infill | £176.22 | pair | C |
| 4 | Supply cut parts in vinyl for panel only, not infill | £97.64 | pair | C |
| 5 | 993 infill panels OE leather retrim only (exchange required) | £146.45 | pair | B |
| 6 | 993 infill panels OE leather retrim and fit (exchange required) | £304.82 | pair | B |
| 7 | 993 infill panels OE leather supply only of cut leather parts | £75.01 | each | D |
| 8 | 993 infill panels vinyl retrim only (exchange required) | £119.07 | pair | B |
| 9 | 993 infill panels vinyl retrim and fit (exchange required) | £275.05 | pair | B |
| 10 | 993 Targa header rail in leather, supply cut leather parts only | £63.11 | each | C |
| 11 | 993 Targa header rail in leather, fit as part of retrim | £94.07 | each | B |
| 12 | 993 Targa header rail in vinyl, fit as part of retrim | £70.26 | each | B |
| 13 | 993 Targa lateral roof rails, supply cut leather parts only | £70.26 | each | C |
| 14 | 993 Targa lateral roof rails, leather, fit as part of retrim | £101.21 | each | B |
| 15 | 993 Targa lateral roof rails, vinyl, fit as part of retrim | £83.35 | each | B |
| 16 | 993 Pair door panels with infills supply | Leather £619.16 | | B |
| | | Vinyl £500.09 | | |

Early RS door panels and parts, Pre 1974

| | | | |
|--|---------|------|---|
| Early Pre '74 RS door panels c/w handles & fittings in leather | £540.58 | pair | C |
| Early Pre '74 RS door panels c/w handles & fittings in vinyl/cloth | £459.61 | pair | C |
| Untrimmed door panels Inc ¼" foam | £105.38 | pair | D |

Options on panels

| | | | | | |
|----|---|---|---------|-----------|---|
| 1 | Handle | 2 | £19.05 | each | D |
| 2 | Strap | 2 | £14.29 | each | B |
| 3 | Panels in vinyl no fittings | 2 | £352.44 | each | B |
| 4 | Nutserts | 3 | £0.47 | each | B |
| 5 | M4 x 25 machine, panel fixing | 5 | £0.47 | each | B |
| 6 | M6 Allen bolts x 25, strap fixing | 2 | £0.47 | each | B |
| 7 | M5 x 25 Counter sunk handle fixing | 4 | £0.47 | each | B |
| 8 | Protection washer | 6 | £0.37 | each | B |
| 9 | Panel protection edging ' | | £4.77 | per metre | C |
| 10 | Panel protection edging roll price 50 metres / roll | | £3.57 | per metre | |

RS door panels and parts, Late type

911SC/3.2/964/993

| | | | | |
|---|--|-----------------|------|---|
| 1 | Late RS door panels c/w handles & fittings in Leather for SC/3.2/964/993 | £687.04 | pair | C |
| 2 | Late RS door panels c/w handles & fittings in Vinyl for SC/3.2/964/993 | £607.26 | pair | C |
| 3 | Late Rs door panels supplied and fitted | Leather £939.47 | pair | |
| | | Vinyl £887.07 | pair | |
| 4 | Late RS door panels, no fittings, in vinyl for SC/3.2/964/993 | £350.07 | pair | C |
| 5 | Late RS door panels, no fittings, in leather for SC/3.2/964/993 | £382.21 | pair | C |
| 6 | Pockets plain elastic type | £64.30 | pair | |
| 7 | Pockets, picture frame type | £186.94 | pair | |

Options on panels

| | | | | |
|----|--|---------|------|---|
| 1 | Rose for release pull | £4.17 | each | B |
| 2 | RS door handle, 993 type only | £116.69 | each | B |
| 3 | Rose for door handle | £4.17 | each | B |
| 4 | Door release pull strap, OEM webbing | £39.29 | each | B |
| 5 | Door release pull strap, ours in leather | £13.09 | each | B |
| 6 | Spacer for handle, OEM | £5.37 | each | B |
| 7 | Spacer for handle, OUR TYPE | £2.98 | each | B |
| 8 | Pin | £1.80 | each | |
| 9 | Circlip | £1.80 | each | |
| 10 | Window switch frame | £6.90 | each | |

Wheel arch panels – may require exchange item or £80.00 surcharge

911/912/2.4/2.7 / 930 / 3.2 / 964 / 993 1965 to 1998 (special order colours extra £POA)

| | | | | |
|----|--|---------|----------|----------|
| 1 | Rear two-part wheel arch panels trimmed in leather | £406.02 | per pair | B |
| 2 | Rear two-part wheel arch panels trimmed in vinyl/cloth | £363.16 | per pair | B |
| 3 | Rear two-part wheel arch panels, cut leather sections | £140.50 | per pair | B |
| 4 | Rear two-part wheel arch panels, cut vinyl sections | £78.58 | per pair | C |
| 5 | Targa wheel arch panels trimmed, leather | £264.22 | per pair | B |
| 6 | Targa wheel arch panels trimmed & fitted, black leather | £319.11 | per pair | B |
| 7 | Targa wheel arch panels, cut leather sections | £129.79 | per pair | C |
| 8 | Targa wheel arch panels in vinyl up to 1994 supply | £173.84 | per pair | B |
| 9 | Targa wheel arch panels, cut vinyl sections | £64.30 | per pair | C |
| 10 | Coupe wheel arch panels, retrimmed, leather fitted on own | £535.82 | per pair | C |
| 11 | Coupe wheel arch panels, retrimmed, vinyl fitted on own | £472.71 | per pair | C |
| 12 | Coupe seat belt panel 1969 to 1973 supply ready to fit leather | £160.74 | each | |
| | | vinyl | £129.79 | each |
| 13 | Retrim coupe seat belt panel leather | £54.77 | each | C |
| | | vinyl | £41.67 | each |
| 14 | Wheel arch panel Coupe Pre 1973 | vinyl | £540.00 | per pair |
| | | Leather | £640.00 | per pair |

Rear parcel shelf– requires exchange item or £105.00 surcharge

| | | | | |
|----|--|---------|---------|---|
| 1 | Rear parcel shelf re-trimmed in leather sc /3.2/964/993 | £436.99 | | B |
| 2 | Rear parcel shelf re-trimmed in vinyl/cloth sc /3.2/964/993 | £389.36 | | B |
| 3 | Sewn parts & plain parcel shelf panel vinyl/cloth supply | £171.47 | | C |
| 4 | Sewn parts & plain parcel shelf panel leather supply (69 to 77 £167.00) | £278.63 | | C |
| 5 | Rear decking top only, re-trim in leather | £404.84 | | D |
| | | Vinyl | £347.69 | D |
| 6 | Rear decking top only, re-trim in leather and refit | £442.94 | | B |
| 7 | Rear decking lower only, re-trim in leather, stitched | £357.21 | | B |
| 8 | Rear decking lower only, re-trim in vinyl, stitched | £267.91 | | B |
| | '68-'77 plain type | £197.65 | | B |
| 9 | Rear decking lower only, re-trim in leather, plain '68-'77 | £316.72 | | B |
| 10 | Rear parcel shelf one-piece type up to 69, leather | £417.93 | | B |
| 11 | Rear parcel shelf one piece type up to 69, vinyl | £365.55 | | B |
| 12 | Rear parcel shelf three parts 69-77, leather re-trim | £422.70 | | B |
| 13 | Rear parcel shelf three part 69-77, vinyl re-trim | £361.98 | | B |
| 14 | Rail for one piece shelf, leather Supply (retrim = £74.00) | £46.44 | | B |
| 15 | Rail for one-piece shelf, vinyl Supply (retrim = £64.20) | £36.91 | | B |
| 16 | Rear decking panel top section for 3.2 / 964,993 supply in | Leather | £96.44 | |
| | | Vinyl | £65.10 | |
| 17 | Parcel shelf top section, vinyl with O.E speaker perforations supply | £103.76 | | |
| | | Leather | £159.89 | |
| 18 | As above but using customer supplied material: Process charge | £78.25 | | |
| 19 | Supply rear shelf lower section with twin stitching in black leather (colours POA) | £135.00 | | |
| | | Vinyl | £98.00 | |
| 20 | Rear decking one piece type up to 1969 pre-cut panel board only | £210.76 | | B |
| 21 | Pre cut top and lower rear deck parts – from | £34.53 | each | B |
| 22 | Metal bracket for rear panels | £5.95 | each | |

We can supply donor parcel shelves for certain models

POA

TRIM, GENERAL

911/964/993:

Dashboard parts

| | | | | |
|------|---|---------|------|---|
| 1 | Dash centre strip early car, vinyl plain/basket weave, supply only | £38.00 | | E |
| 2 | Dash centre strip early car, leather, supply only, up to 1973 | £48.50 | | D |
| 3 | Dash centre strip remove, retrim and refit, up to 1973 | £240.12 | | D |
| 4 | Dash centre strip retrim (removed from car) | £89.74 | | |
| 5 | Lower dash 993 all colours, trim in leather | £543.31 | | B |
| 6 | Lower dash 993 all colours, trim and fit in leather | £719.17 | | B |
| 7 | Lower dash cover, supply only | £303.19 | | C |
| 8 | Dashboard centre strip & clocks surround, leather, trim only, 74 to 98 | £351.70 | | C |
| 9 | Dashboard centre strip & clocks surround, leather, trim and fit, 74 to 98 | £620.93 | | B |
| 10 | Dash centre strip sections in leather, without clock surround | £460.85 | | |
| 11 | Supply of thinned (0.5mm) leather for centre dash 911 SC/3.2/964/993 | £82.47 | | |
| 12 | Dashboard already removed by customer, retrim in leather (subject to cond') | £738.57 | | B |
| 13 | Dashboard already removed by customer, retrim in vinyl (subject to cond') | £639.45 | | B |
| 14 | Dashboard top, leather, trim and fit, all models pre 1987 Carrera (wind screen out) | £977.48 | | |
| 15 | Dashboard top, leather, trim and fit 3.2 / 964 / 993 | £977.47 | | |
| 16 | Dashboard cover, supply only, black leather (vinyl £204.75) | £333.51 | | C |
| 17 | Leather black for 911 around dials supply (vinyl £17.85) | £53.36 | | D |
| 17A. | As above other colours | £POA | | |
| 18 | Set of 5 dial bezels, 911 up to 1998, retrimmed in leather | £623.35 | | B |
| 19 | Windscreen surround, cabrio/targa fitted in leather | £491.17 | | B |
| 20 | Tread plates retrimmed in leather (964/993) | £70.34 | pair | |
| 21 | Demister slot late 3.2/964/993 paint | £43.66 | | |
| 22 | Dash top vinyl section, early 65-68 with OE speaker perf' | £91.57 | | C |
| 23 | Dash & Door end cups in leather 3.2 / 964 / 933 | £5.00 | each | |

Door parts

| | | | | |
|----|---|---------|------|---|
| 1 | Door pulls with hand-stitched seam, leather 911SC/3.2/964 | £384.30 | pair | B |
| 2 | Door pulls with hand-stitched seam, leather 993 | £404.25 | pair | B |
| 3 | 911/964 Door pull covers, leather | £180.10 | pair | C |
| 4 | Door pull covers leather 993 | £185.56 | pair | C |
| 5 | Door bin lids, leather | £317.10 | pair | B |
| 6 | 993/911/964 Door bin lid covers, leather | £164.93 | pair | C |
| 7 | Early handles 911/912 up to 1967 retrim vinyl, subject to condition | £242.55 | pair | B |
| 8 | Early handles 911/912 up to 1967 retrim leather, subject to condition | £286.21 | pair | B |
| 9 | Early handles 911 1969-1974 if repairable, retrim leather | £469.34 | pair | B |
| 10 | Handle covers supplied in vinyl | £134.62 | | |
| 11 | Handle covers supplied in leather | £177.06 | pair | B |

Centre console

| | | | | |
|----|---|---------|--|---|
| 1 | Centre console 964/993 Carrera 2+4 1989 onwards, retrimmed in leather | £404.84 | | B |
| 2 | Centre console 964/993 Carrera 2+4 1989 onwards, retrimmed in leather & fitted | £484.62 | | B |
| 3 | Centre console 964/993 Carrera 2+4 1989 onwards, retrimmed in OE vinyl | £205.99 | | B |
| 4 | Centre console 964/993 Carrera 2+4 1989 onwards, retrimmed & fitted in OE vinyl | £316.72 | | B |
| 5 | Centre console 911 SC/3.2, trim only, vinyl (with retrim price) | £94.07 | | B |
| 6 | Centre console 911 SC/3.2, trim only, leather (with retrim price) | £110.73 | | B |
| 7 | Centre console 911 SC/3.2, trim and fit | £178.61 | | B |
| 8 | Centre console 911 SC/3.2 supply vinyl cover | £59.54 | | C |
| 9 | Centre console 911 SC/3.2 supply leather cover | £84.54 | | C |
| 10 | Centre console 964/993 supply cover only leather | £234.57 | | C |
| 11 | Centre console unit SE complete - 4 parts trimmed in leather | £294.11 | | B |
| 12 | Centre console 964/993 cut section of plain leather without stitch detailing | £70.26 | | B |
| 13 | Centre console rear cup 911SC / 3.2 in leather with twin stitch | £111.70 | | |
| 14 | Center console handbrake undertray 964/993 | £160.00 | | |

Knee Rails/Gear Gaiters

| | | | | |
|----|--|---------|----------|---|
| 1 | Knee rails including ashtray 911 SC/3.2, leather, trim only | £148.84 | set | B |
| 2 | Knee rails including ashtray 911 SC/3.2, leather, trim and fit | £215.51 | set | B |
| 3 | Knee rails and ashtray late 3.2 and 964, leather, trim only | £184.56 | set | B |
| 4 | Knee rails and ashtray late 3.2 and 964, leather, trim and | £244.09 | set | B |
| 5 | Knee rails including ashtray, covers in leather for up to '85 | £101.21 | set | B |
| 6 | Knee rails including ashtray, covers in leather for '85- '93 | £135.74 | set | B |
| 7 | Knee rail one piece 912/911 in leather | £116.69 | | B |
| | | | in Vinyl | |
| | | £86.33 | | |
| 8 | Knee rail one piece 912/911 in leather, fitted | £192.90 | | B |
| 9 | Knee rail one piece 912/911 in vinyl fitted | £138.12 | | B |
| 10 | Under dash pockets / below knee rail SE component trimmed in leather | £190.51 | each | B |
| 11 | Ashtray retrimmed in leather up to 1994 | £32.15 | each | |
| 12 | Sun visors, retrim in leather | £490.57 | pr | B |
| 13 | Sun visors, RS/Speedster, retrim in leather | £163.13 | pr | B |
| 14 | Gear gaiter Carrera 2+4 1989 onwards, retrimmed | £163.13 | | C |
| 15 | Gear gaiter Carrera 2+4 1989 onwards, retrimmed and fitted | £229.80 | | B |
| 16 | Gear gaiter 911 SC/3.2 | £96.39 | | E |
| 17 | Gear knob up to 1989 3.2/Turbo/S/Tiptronic 964 993 | £59.54 | | B |
| 18 | Handbrake lever cover in leather supply only 964/ 993 | £88.45 | | C |
| 19 | Handbrake gaiter 911SC/3.2, supply only | £88.45 | | D |
| 20 | Handbrake lever 964/993, retrimmed | £120.26 | | D |
| 21 | As above but with twin stitch detail | £139.31 | | |
| 22 | Gear gaiter cover 924/944/968/964/993 | £96.39 | | |

Steering wheels, horns and column parts

| | | | | |
|----|---|---------|--|---|
| 1 | Steering wheel, 3 spoke 911 SC/924/early 944, retrim in leather | £565.58 | | B |
| 2 | Steering wheel SC column, half sections 0.5mm leather, supply only | £44.06 | | B |
| 3 | Steering wheel SC column, half sections, supply and fit | £122.64 | | B |
| 4 | Steering wheel, 4 spoke 1972 2 layer RS/3.2/964/993 retrim in leather | £685.84 | | B |
| 5 | Steering wheel, 4 spoke up to 1976 single wrap | £607.82 | | B |
| 6 | Steering wheel 3 spoke SE slant nose | £667.98 | | B |
| 7 | Steering wheel section for trimming wheel, from (approx. 130 x 25 cm) | £101.21 | | D |
| 8 | Horn push, SE component, 911 3 spoke trimmed in leather | £77.40 | | B |
| 9 | Boss & cup, SE component trimmed in leather | £76.21 | | B |
| 10 | Standard 4 spoke 3.2 / 964 horn pad in leather with Porsche logo retrim | £77.40 | | B |
| 11 | Embossing charge, leather Porsche logo for horn pad | £36.91 | | D |
| 12 | Airbag unit 993 including logos | £603.75 | | |

924/944/968:

Door Panels (your panels retrimmed)

| | | | | |
|----|--|---------|------|---|
| 1 | Upper capping part of door panel in leather in 0.7mm leather (off car) | £239.09 | pair | B |
| 2 | 968 Lower panels in leather with original stitch detail | £680.30 | pair | B |
| 3 | 968 Lower panels with original stitch detail in vinyl | £575.19 | pair | B |
| 4 | 924/944 Lower panels in leather plain, no stitch detail | £550.94 | pair | B |
| 5 | 924/944 Lower panels in vinyl plain, no stitch detail | £511.67 | pair | B |
| 6 | 924/944 Lower panels with original detail in leather | £691.85 | pair | B |
| 7 | 924/944 Lower panels in cloth | £511.67 | pair | B |
| 8 | Armrests in leather | £456.23 | pair | B |
| 9 | Gear Gaiter | £158.24 | | |
| | Cover part / retrim | £83.16 | | |
| 10 | Hand brake lever retrim in leather | £147.84 | | |
| | fitted | £198.66 | | |
| 11 | Centre console with lid trimmed in leather, fitted | £508.20 | | B |
| 12 | Factory leather console supplied by customer, retrimmed and fitted | £620.24 | | B |
| 13 | 924/early 944 centre console lid and surround | £133.98 | | B |
| 14 | 924/early 944 forward console | £295.68 | | |
| 15 | Centre console in leather, trim only (not remove or refit) | £420.42 | | |

Dashboards

| | | | | |
|---|--|-----------|------|---|
| 1 | 924/944/968 Complete oval dash trimmed and fitted in leather | £1,922.21 | | C |
| 2 | Lower dash area/glove box trimmed in leather | £668.23 | | B |
| 3 | Lower dash area/glove box (factory leather) retrim in leather | £824.67 | | B |
| 4 | 924/early 944 square dash retrim in leather (not removal or refit) | £1,072.07 | | C |
| 5 | 968 club sport style luggage dump | £479.04 | | |
| | Rear wheel arch panels 944/968 Coupe in detailed leather | £POA | pair | B |

Trim, 928:

* All prices subject to condition of existing trim

| | | | | |
|----|---|-----------|--------|---|
| 1 | Full door panels fitted in leather (includes panel infills but not handles) | £1,204.27 | pair | B |
| 2 | As above but already removed from car in leather | £1,028.41 | pair | |
| 3 | Door panel inserts, trimmed in leather | £111.57 | pair | B |
| 4 | Door panel inserts, trimmed in leather including new boards | £183.13 | pair | B |
| 5 | Door panel insert boards | £65.49 | pair | B |
| 6 | Door panel upper parts, trim only | £238.92 | each | |
| 0 | | £133.40 | fitted | |
| 7 | Large door handles/armrests leather (inc grab handles and folding bin lid) | £522.70 | pair | |
| 8 | Rear seat belt panels | £181.91 | pair | B |
| 9 | Manual gear gaiter trimmed onto knobs and carrying bracket in leather | £129.77 | | B |
| 10 | Auto gear lever retrim only, leather | £94.59 | | |
| 11 | Large panels around rear side windows leather fitted | £681.57 | pair | B |
| 12 | Large panels around rear side windows vinyl fitted | £523.91 | pair | B |
| 13 | Centre console forward section retrim only | £477.82 | | B |
| 14 | Centre console forward section retrimmed and fitted | £772.53 | | B |
| 15 | Dash retrim only (not inc binnacle) | £1,321.90 | | B |
| 16 | Dash retrimmed and fitted (not inc binnacle) | £2,401.25 | | B |
| 17 | Dashboard instrument binnacle in leather (removed from car) | £545.74 | | |
| 18 | Dash glove box lid retrim | £86.11 | | |
| 19 | Under dash shelf rails retrim only, leather with twin stitch detail | £88.54 | each | |
| 20 | Infill frame around gear lever, leather (0.5mm, carries clock) | £75.19 | each | |
| 21 | Ashtray lid, forward centre console, leather (0.5mm) | £36.38 | each | |
| 22 | Centre console lid (forward) | £75.19 | each | |

| | | | | | |
|----|---|---------|---------|------|---|
| 23 | Centre console box (rear) vinyl retrim | | £340.79 | | B |
| | | Leather | £469.34 | | B |
| 24 | 3 piece tailgate trim (removed from car) | | £128.55 | | |
| 25 | Windscreen 'a' pillars (removed from car) vinyl | | £127.34 | pair | |
| 26 | Windscreen 'a' pillars (removed from car) leather | | £154.02 | | |
| 27 | Door surround upper trims (check clips!) | | £155.23 | pair | |
| 28 | Rear luggage cover (early models) in moquette | | £287.43 | | |
| 29 | Dash glove box lid retrim in leather | | £90.96 | | |

Trim, Boxster 986/911 996:

Dashboards

| | | | | | |
|----|---|--|-----------|--------------|---|
| 1 | Dash retrim and fit existing in leather | | £1,696.88 | | B |
| 2 | Dash retrim and fit vinyl to leather | | £1,446.08 | | B |
| 3 | Dash retrim only, leather out of car | | £1,339.36 | | B |
| 4 | Dash retrim only, vinyl to leather out of car | | £1,089.90 | | B |
| 5 | Cut part for dash top in leather inc knee rail section from | | £505.61 | state colour | |
| 6 | Binnacle retrim and fit existing in leather | | £457.58 | | B |
| 7 | Binnacle retrim and fit vinyl to leather | | £408.21 | | B |
| 8 | Binnacle retrim only, leather | | £289.49 | | B |
| 9 | Binnacle retrim only, vinyl | | £218.78 | | B |
| 10 | Binnacle cover with stitch detail in leather supply | | £258.80 | | |
| | | | £0.00 | | |
| 11 | Door panels retrim and fit, leather | | £1,383.39 | pair | B |
| 12 | Door panels retrim and fit, vinyl to leather | | £1,241.98 | pair | B |
| 13 | Door panels retrim only, leather | | £1,113.91 | pair | B |
| 14 | Door panels retrim only, vinyl | | £904.47 | pair | B |
| 15 | Door bin lids leather | | #VALUE! | pair | B |
| 16 | Door grab handles | | #VALUE! | pair | |
| 17 | Rear panels retrim and fit, leather | | £1,184.61 | | B |
| 18 | Rear panels retrim and fit, vinyl to leather | | £987.18 | | B |
| 19 | Rear panels retrim only, leather | | £933.82 | | B |
| 20 | Rear panels retrim only, vinyl to leather | | £783.08 | | B |
| 21 | Centre console in leather with stitch detailing, fitted | | £807.09 | | |
| 22 | As above but already removed from car | | £564.30 | | |
| 23 | Centre console pad set retrimmed in leather (5pcs) | | £204.11 | | |

Trim General, 356ABC:

| | | | | |
|---|---|---------|------|---|
| 1 | Panel set: 2 door panels with pockets all in Leather | £1,559 | | B |
| | 2 wheel arch panels | £1,282 | | B |
| | or in Vinyl | | | |
| | 1 large rear decking panel assembly | | | |
| Note: Some door panels require more detail than others; this will affect the individual prices | | | | |
| 2 | Rear Cabriolet panels, leather | £296.03 | | B |
| 3 | Rear Cabriolet panels, vinyl | £245.21 | | B |
| 4 | Dash top retrim and fit, leather | £441.50 | | B |
| 5 | Dash top retrim and fit, vinyl | £331.60 | | B |
| 6 | Dash top retrim only, leather | £296.03 | | B |
| 7 | Glove box liner | £44.47 | | |
| 8 | Door cappings, leather | £88.94 | | B |
| 9 | Rear cappings, leather | £71.15 | | |
| 10 | 'B' Pillar trim supplied leather | £22.87 | pair | B |
| 11 | 'B' Pillar trim supplied vinyl | £15.25 | pair | B |
| 12 | Door panel complete with pocket, metal strip and fixing screws/cups, leather (£690.80 pair supply) | £797.87 | | B |
| 13 | Door panel complete with pocket, metal strip and fixing screws/cups, vinyl (£592.90 pair supply) | £684.80 | | B |
| 14 | Armrests, leather | £91.48 | pair | B |
| 15 | Armrests, vinyl | £69.88 | pair | B |
| 16 | Rear wheel arch panels, Coupe, leather | £303.65 | | B |
| 17 | Rear wheel arch panels, Coupe, vinyl | £297.30 | | B |
| 18 | Large rear decking panel, retrim leather | £298.57 | | B |
| 19 | Large rear decking panel, complete new, leather | £409.10 | | B |
| 20 | Large rear decking panel, retrim vinyl | £266.18 | | B |
| 21 | Large rear decking panel, complete new, vinyl | £341.76 | | |

356 Model B&C only, LHD only, rubber mats to original design:

| | | |
|---------------------|---------|----|
| 2 large front mats | £343.98 | B, |
| Front tunnel mat | £118.97 | B, |
| Rear passenger mats | £70.56 | B |

RS style carpet sets as per Cabriolet prices; Early RS = pre '72, Perlon C

CARPETS AND FLOORMATS

Approximate guide only.

Note: Real leather carpet edging per set from £78.75

| Supply Only | Two front replacement floor carpets (O.E.) | Set of Four replacement floor carpets (O.E.) | Boot Carpet (O.E.) | Full carpet set (O.E.) |
|-------------------------|--|--|---|--|
| 356ABC Coupe | £276.11 | £402.34 | N/A | Full Set = £916.49 ½ set Boucle if rubbers retained £634.38 B |
| 356 Cab/Roadster | £276.11 | £402.34 | N/A | Full Set = £983.35 ½ set Boucle if rubbers retained £693.42 B |
| 911 / 912 | £195.70 Perlon | £311.179 Perlon | B £418.13 / P B £196.72 C | £983.35 S&P /Boucle, £735.38 Perlon |
| 911up to 1974 | S + P / Boucle £223.65 B | S + P / Boucle £336.69 B | B , SP £418.13 / B £196.72 C Perlon | £983.35 / £983.35 S&P / Boucle, 735.38 Perlon |
| Early RS up to 1974 | Perlon with no front floor carpets | | £669.63 C | £844.52 Perlon C |
| 911 1974 to 1989 | £209.07 | £329.41 | **£201.26 / £223.65 servo | C £900.69 (UK D10 £708.91) |
| RS+911 1983 to 1989 Cab | C £209.07 | C £329.41 | £216.97 Perlon C £418.13 | C £955.40 (uk D10 £704.55) |
| 911 1989 -964/993 | C £209.07 | C £329.41 | C** £418.13 | C £932.30 |
| 911 1989-964/993 Cab | C £209.07 | C £329.41 | ** £418.13 | C £988.21 |
| RS 964/993/gt2 | C £209.07 | C £329.41 | | C £1036.82 Including Logo |
| 924/944 | Not available mail order | | | Fitted In-House only |
| 968 | POA OEM | POA OEM | POA OEM | POA OEM |
| 928 | £228.51 | £346.43 OE | £223.65 | C £1027.10 |
| Boxster/996 | POA | POA | N/A | POA |

****Deluxe and late boot sets for 911 up to 1989: Centre part only: £286.68 **C**, Sides: £78.72 each **C****
993 boot set in O.E interior carpet £398.22

- | | | |
|---|---|-------------|
| 1 | Perlon boot set early 1965-1968 base double layer, side walls single layer edge in vinyl or cloth | £368.50 |
| 2 | 993 speaker (option 490) type door bin carpets | £48.50 pair |
| 3 | Deluxe and late boot set parts (up to 1989) | |
| | Centre part double thickness edged | @£290.00 |
| | Side wall single layer | £85.00 each |

CARPETS AND FLOORMATS CONTINUED

| Supplied and fitted | Two front replacement floor carpets (O.E.) | Set of four replacement floor carpets (O.E.) | Boot Carpet (O.E.) | Full carpet set (O.E.) |
|--|---|---|---------------------------|-------------------------------|
| 356A BC | £276.11 | £402.34 | N/A | £1862.12, Part set £1440.98 |
| 356 Cab/Roadster | £276.11 | £402.34 | N/A | £2036.32 part set £1597.48 |
| 912 | £186.38 Perlon | £311.17 Perlon | £465.38 / £244.17 | £1862.12 S/P, £1566.60 Perlon |
| RS 1970's | | | | £1692.34 Perlon black |
| 911 up to 1974 | £223.65 | £336.69 | £465.38 | £1913.78 S/P, £1642.73 Perlon |
| 911 1974-1989 | £209.07 | £329.41 | £270.90 / £248.51 | £1985.60 |
| 911 1983-1989 Cab& RS style | £209.07 | £329.41 | £465.38 / £264.22 | £2121.21 |
| 911 1989-964/993 | £209.07 | £329.41 | £465.38 | £2059.47 Targa/Coupe |
| 911 1989-964/993 Cab& RS style | £209.07 | £329.41 | £262.40 | £2200.59 RS/Cab |
| OEM Moulded and 944 boot carpet subject to availability-price on application | 924 | | | |
| | 944 | | | |
| | 968 | | | |
| 928 | £224.31 | £319.73 | £270.90 | £2,180.75 |
| Boxster/996 | £POA | £POA | N/A | £POA |

Extras:

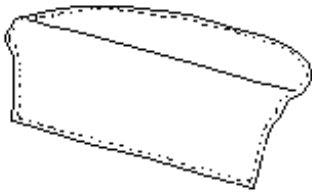
Overmats:

| | | | | |
|----|---|----------|------------------|----------|
| 1 | Carpet for all models with logos/contrasting edge(standard over mats) | Set of 4 | £96.09 | B |
| | | Set Of 2 | £75.24 | B |
| 2 | OEM prices same as front replacement floor carpets | | | |
| | Plus Options: | | | |
| | Sewn crested badges | | £24.31 pair | |
| | Eyelets: mat black | | £6.95 pair | |
| | Eyelets: mats brass | | £4.63 pair | |
| | Leather heel pad | | £11.58 | |
| | Set of fixings 3.2, 4 long OEM | | £38.20 | |
| | Set of fixings: 964/944/933 OEM | | £24.31 | |
| 3 | Boxster/996 front overmats: OEM | | £0.00 | B |
| 4 | 996 Set of 4, not OEM | | £0.00 | |
| 5 | 924/944/968/928 overmats, not OEM: Boot overmats | | £78.72 | B |
| 6 | 964/993 '89 – '98 overmats, OEM: Set of 4 with fittings | | £0.00 | |
| 7 | Set of 4 rubber fine fluted overmats, not edged or backed | | £97.24 | D |
| 8 | Set of 4 rubber fine fluted overmats, edged not backed | | £134.28 | D |
| 9 | Front pair of rubber fine fluted overmats, not edged or backed | | £75.24 | D |
| 10 | Front pair of rubber fine fluted overmats, edged not backed | | £94.93 | D |
| 11 | Overmats (velour pile) set of 4 Merc | | £201.43 | C |
| 12 | Overmats (velour pile) front pair only Merc | | £166.70 | C |
| 13 | Porsche crest large approx 100 x 85 mm | | £48.63 each | |
| 0 | Porsche crest large approx small 70 x 55 mm | | £39.36 each | |
| 14 | Small Porsche carpet side logo | | £13.89 each | |
| 15 | Turbo logo for fold down back rest | | £26.63 each | |
| 16 | Porsche logo across carpet approx 300 mm | | £26.05 each | |
| 17 | Real leather edging on set of overmats plus | | £24.31 | |
| 18 | Carrera RS/GT/RS 3.6 | | £40.52 each | |
| 19 | Original type 928 Rubber heel pad + foot rest | | £144.70 per seat | |

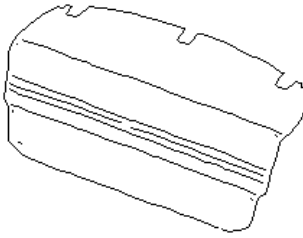
INDIVIDUAL CARPET PARTS (plus 10% on special order colours)

| | | | |
|----|--|---------|--------------------------|
| 1 | Parcel shelf, OE carpet (backed) | £202.83 | C |
| 2 | Parcel shelf, Perlon | £137.79 | C |
| 3 | Parcel shelf, OE carpet cut part, Cab, 3.2/964 | £97.23 | C |
| 4 | Parcel shelf OE carpet with logo, RS | £236.30 | C |
| 5 | Rear wheel arch 2-part (RS) (993 £ 34.39) | £72.11 | C |
| 6 | Rear wheel arch 2-part (RS) Perlon Pre 1974 | £58.59 | D |
| 7 | Seat Pad (in perlon £ 14.75) | £34.77 | C |
| 8 | Seat Pad late RS style | £43.14 | C |
| 9 | Sill section all models 911SC/3.2 | £64.39 | C |
| 10 | Sill section 964 | £80.49 | C |
| 11 | Centre Tunnel Sc 3.2 | £154.53 | C |
| 12 | Centre Tunnel Sc 3.2 Perlon | £121.04 | D |
| 13 | Pedal mat | £55.38 | C or for Salt & Pepper B |
| 14 | Pedal mat Perlon | £48.94 | D |
| 15 | Sill section pre '74, Salt & Pepper | £104.96 | 7.50% |
| 16 | Sill section pre '74, perlon | £70.82 | D |
| 17 | Wheel arch section | £55.38 | C |
| 18 | Rear Tunnel Perlon | £61.18 | D |
| 19 | Rear Tunnel Salt & Pepper Pre 1974 | £81.12 | 7.50% |
| 20 | Wheel arch section lower (perlon£29.25) | £57.95 | C |
| 21 | Rear section 911SC/3.2/964 (perlon £31.50) | £70.82 | C |
| 22 | A' Pillar/map pocket | £98.52 | C or for Salt & Pepper B |
| 23 | A' Pillar/map pocket Perlon (single layer RS £23.50) | £78.55 | D |
| 24 | Fold down back rests | £63.76 | C or for Salt & Pepper B |
| 25 | Fold down back rests Perlon | £47.65 | D |
| 26 | Sill section long/full length 94 on 993 | £133.29 | C |
| 27 | Rear tunnel hump & side parts 993 section | £180.94 | C |
| 28 | Rear Hump 911 SC 3.2/2.7 etc (in perlon£ 10.50) | £28.33 | C |
| 29 | Cabriolet carpet for panel | £36.71 | C |
| 30 | Centre tunnel rear C2/C4 964 | £64.39 | C |
| 31 | 964/993 Forward tunnel | £68.90 | C |
| 32 | Forward tunnel Pre 1974 Salt & Pepper | £92.72 | |
| 33 | Pod carpet 3.2 | £25.76 | C |
| 34 | Lower side wall front 3.2 (In perlon£ 24.60) | £47.01 | D |
| 35 | 964/993 RS Boot with pocket/millboard backing | £280.06 | C |
| 36 | Rear seat drop to footwell 911 3.2 (in perlon £ 30.90) | £57.95 | C |
| 37 | Rear seat drop to footwell pre 1974 Salt & Pepper | £72.77 | |
| 38 | Rear seat drop to footwell Perlon | £51.50 | D |
| 39 | Boot centre part 911, perlon | £160.98 | D |
| 0 | Pre 1968 double thickness | £201.85 | |
| 40 | Boot centre part 911, perlon, Deluxe type edged - Double thickness | £310.34 | D |
| 41 | Boot side part 911, perlon | £37.34 | D |
| 42 | Boot side part 911, Deluxe type | £97.86 | D |
| 43 | Forward tunnel, pre 1974 Salt & Pepper | £97.52 | |
| 44 | Forward tunnel pre 1974 perlon | £77.26 | |
| 45 | Door bin carpet section | £54.74 | |
| 46 | Welded heel pad carpet section @ | £62.04 | |
| 47 | Rear seat pad skirt 1965-66 | £51.26 | each C |
| 48 | Leather quilted boot with pocket 964/933 | £627.90 | |
| 49 | Wheel arch damping | £61.43 | |
| 50 | Rear seating / bulkhead damping | £173.25 | |
| 51 | Foot rest rubber or vinyl RHD | £22.73 | |
| 52 | 964 forward top tunnel + small cover | £43.70 | |

INDIVIDUAL CARPET PARTS



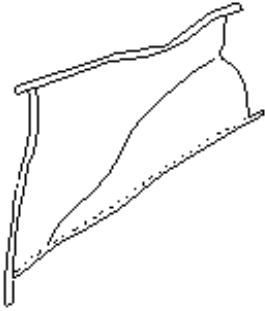
No 1 & 2. Parcel shelf



No 3. Parcel shelf cut part



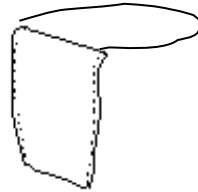
No 4. Parcel shelf with logo



No 5 & 6. RS only, upper wheel arch to window section



No 7. Seat Pad



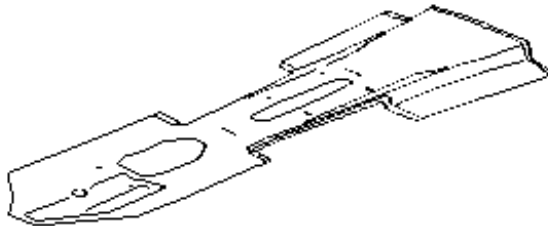
No 8. Seat pad, late RS style



No 9. Sill sections all Pre '74 models 911 Sc 3.2



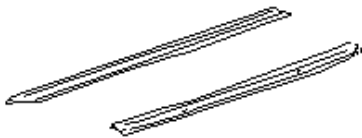
No 10. 964 Sill section



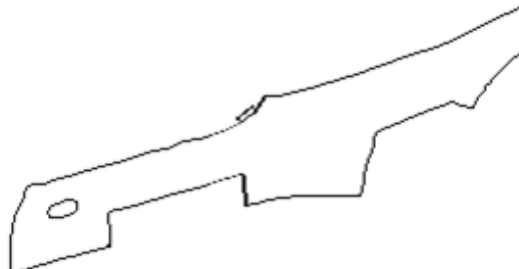
No's 11 & 12. Centre tunnel Sc 3.2



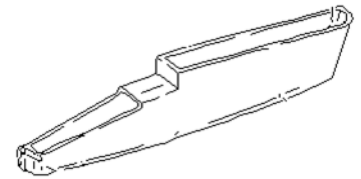
No 13 & 14. Pedal mat



No's Tread Plates



No. 15 & 16 Sill section

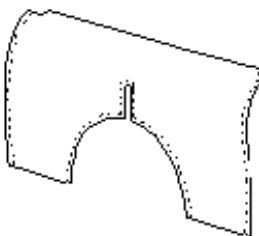


No 45. Door bins carpet section



No 18 & 19.

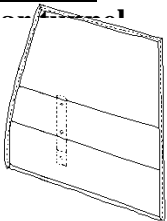
No 17 & 20 Wheel arch



No 21. Rear



No 22 & 23. 'A' pillar/map pocket



No's 24 & 25. Fold down

44. Forward tunnel, pre 1974 Perlon

£54.00 **D**

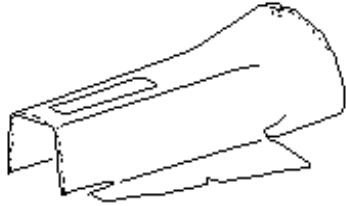


No 26. 993 only, combined sill and lower rear wheel arch

No 27. 993 only, combined tunnel/rear seating

No 28. Rear hump 911 Sc 3.2/2.7 etc

No 29. Carpet cabriolet for panel



No 30. 964 rear centre tunnel



No 31. 964/993 forward tunnel section



No 34. Lower sidewall front 3.2



No 35. 964/993 boot with pocket/millboard backing, RS

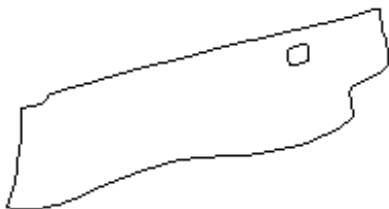
No's 36,37&38 Rear seat drop to footwell



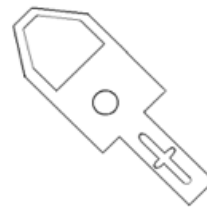
No 39. 39a & 40 Boot centre part 911



No 41 & 42. Boot side part 911



No. 43 & 44. Forward Tunnel Pre 1974



| <u>HOODS & HEADLINERS</u> | OEM Hood supplied List Price/ | Full Hood supplied aftermarket using OEM materials | | Front Hood section supplied | Rear Window section supplied | Full Tonneau supplied | Hood Cover (to cover hood when down) supplied | Hood cover storage bag in mohair | Hood seal B-Post vertical supplied | Lateral Seal (top of side window) | Headlining Supplied |
|---------------------------------------|-------------------------------|--|---|-----------------------------|------------------------------|-----------------------|---|----------------------------------|------------------------------------|-----------------------------------|---------------------|
| | Our o.e.m price | | | | | | (as drawing number 4) | | | | |
| Special Colours £49.68 per item extra | | | | | | | | | | | |
| 356 cab / Roadster | | £743.84 | A | | | £835.86.06 A | £378.64 B | £90.49 D | | | £338.15 |
| 911/912 | | | | | | | | | | | £273.86 |
| 911/912 Ivory/other OEM | | | | | | | | | | | £273.86 |
| 911(1983)/911/964(85-94) | | £942.45 | A | £476.28 A | £512.00 A | £1057.34 A | £571.56 A | £90.49 D | £211.94 B | £211.94 B | £73.59 D |
| 944/968 aftermarket (2 part) | | £810.86 | A | £476.28 A | £512.00 A | £964.57 | £571.56 A | £90.49 D | £POA | £POA | £471.51 |
| 944/968 OEM (2 part) | | £POA | A | £POA A | £POA A | | | | | | |
| Speedster 911 / 964 | | £1,186.53 | A | | | | | | | | |
| 993 Hood - Window | £POA | £1,186.53 | A | | | £1032.34 | £571.56 A | £POA | £POA | | £700.13 |
| Boxster hood | | £760.56 | | | | | | | | | |
| Boxster hood glass window | £POA | £840.63 | | | | | | | | | |
| 996 Hood plastic Window 97- | | £1,168.07 | A | | | | | | | | |
| 996 Hood with glass window 02 | | £POA | | | | | | | | | |
| 356 Cabriolet | | £922.79 | | | | £832.30 | £42.86 | £72.73 | | | £356.01 |
| Inner lining/padded | Fitting = | £2,904.12 | | | | | | | | | |
| Padding | | £340.20 | | | | | | | | | |

Hoods – fitting:

| | | |
|--|--------------|--------|
| Boxster - fitting of hood | £527.48 | B |
| 911/964/944/968 - fitting of hood (subject to condition) | £903.75 | B |
| Rear Section only - fitting | £471.51 | B |
| 993 hood & window – fitting (subject to condition) | £795.39 | B |
| 911 3.2 / 964 replace damaged studs (m5) | £15.31 | each |
| 911 3.2 / 964 fitting of headliner (with hood) | £32.32 | |
| 911/964 hood side tension wire – supply (993) | £33.34 | B |
| 911/964 hood side tension wire - fitting | £33.34 | Pair B |
| Only when fitting hood, not as individual job | | |
| Hood elastics pair fitted - | £51.20 | Pair B |
| Only when fitting hood, not as individual job | | |
| Retrim 911 hood bow trim panel black vinyl | £114.30 | |
| Headliners | | |
| 911 headlining In Alcantara | £359.24 | B |
| 911 Sunroof cover part, supply plain or perf | Ivory £57.15 | D |
| Colours | Black £57.15 | D |
| 912/911 in beige(ivory) code 500 + black code 700 | £274.43 | C |
| 911 Sunroof cover part, fitting | £136.93 | |

Extras - Supply only

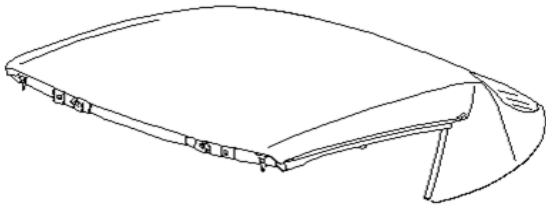
| | | |
|--|-----------|---|
| 911 Speedster hood 3.2 / 964 | £1,188.32 | B |
| 911 Hood front gasket rubber seal | £15.48 | B |
| 944 Sunroof seal (attached to the sunroof) - early | £86.92 | B |
| 944 Sunroof seal (attached to the sunroof) - late | £88.12 | B |
| 944 Forward cab frame seal - approximately | £382.21 | B |
| 911, 3.2, 964 wind deflector | £494.14 | |
| 911, 3.2, 964 wind deflector cover bag | £98.83 | |

Headliners

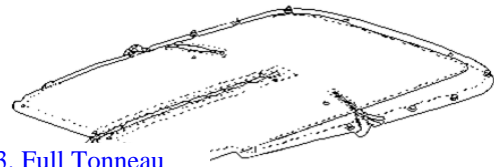
| | | |
|--|---------|---|
| Coupe 356/911/964/993 non-sunroof - fitted | £890.64 | B |
| 911 Coupe with sunroof - fitted | £946.61 | B |
| | £364.35 | B |
| 911 Leather black perforated 0.7mm thick- supply | £409.61 | B |
| 944 Coupe non sunroof headliner – supply | £202.42 | D |
| 944 Coupe non sunroof headliner – fitting Charge | £448.90 | B |
| 944/924 sunroof headliner - fitted | £521.52 | B |
| 944/924 sunroof headliner - supply, cut 51” x 43” | 69.06 | C |

HOODS

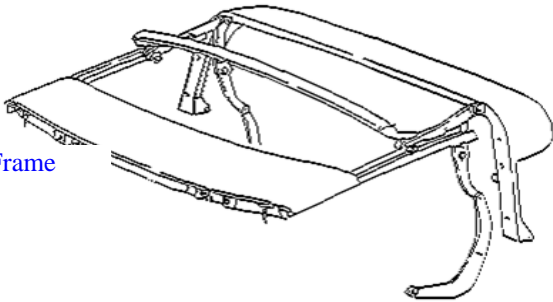
1. Hood



3. Full Tonneau



2. Hood Frame



4. Hood Cover (Tonneau Cover)



5. Hood Bag

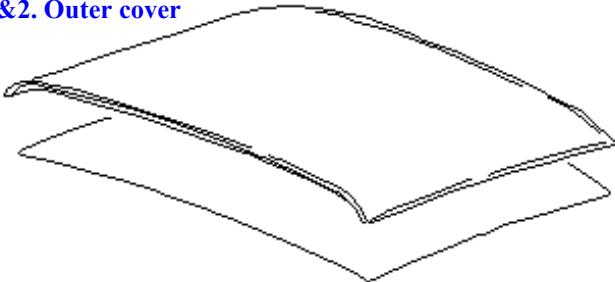


911 TARGA UP TO 1994 ROOF PRICING

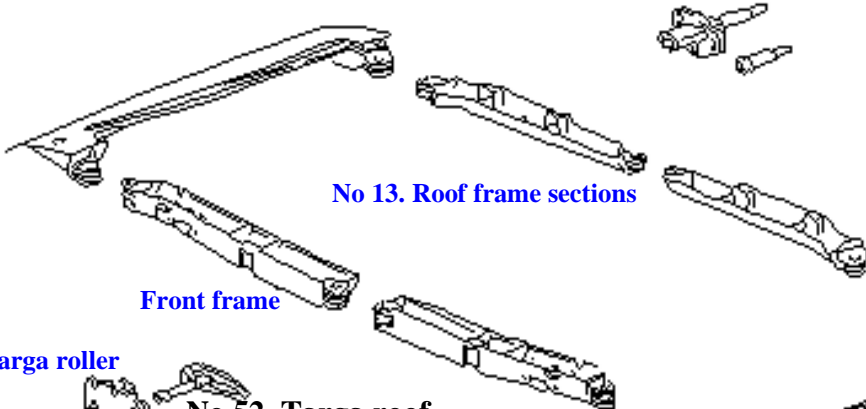
| | | | | |
|-----|---|---------|------------|---|
| 1 | <u>Targa outer kit: supply with calico, foam</u> | £208.43 | | D |
| 2 | Targa outer kit: supply in Mohair with calico, foam | £298.50 | | D |
| 3 | Fitting of outer cover | £615.76 | | B |
| 4 | Fitting of foam, calico, webbing & tidy frame | £265.00 | | B |
| 5 | <u>Inner headliner</u> | £100.02 | | E |
| 6 | Fitting inner headliner (on own not with targa outer etc) | £169.08 | | |
| 7 | Make & fit inner headliner on own without rest of the roof | £226.23 | | C |
| 8 | <u>¼ lights: alignment, window height, adjust for best fit (Guide)</u> | £295.29 | pair | B |
| 9 | Door membranes: OEM parts | £35.18 | each | |
| 10 | Door membranes: | | | |
| 11 | Fitting: With door alignment | FOC | | |
| 12 | Fitting: If door is not being aligned per door | £110.73 | + parts | B |
| 13 | Frame: Shot blast, etch prime & respray to original speckled finish | £210.76 | | A |
| 14 | <u>Metal Weather Strips: New OEM part. 2.7/911SC/3.2</u> | £POA | | B |
| 15 | 964 weather strip | £42.27 | each | |
| 16 | <u>Front and rear webbing: mohair, complete with strip of 22</u> | £40.49 | | D |
| | sets of compression rivets to secure webbing | | | |
| 17 | Retrim Targa frame forward pad trims in black vinyl @ | £65.00 | each | |
| 18 | Seals: Lower tubular door seals @ | £45.24 | each | B |
| 19 | Rear Bar seal (Roll Bar), supply. Late type 911 565 091 47 8VB | £361.18 | | B |
| 20 | Front Bar seal, supply 911,565,090,47 (blade type) | £209.79 | | B |
| 21 | Front Bar seal late type (tube) 911,799,565,80 | £325.46 | | B |
| 22 | Fitting of all 4 seals, including cleaning out of channels etc | £226.23 | | B |
| 23 | A lateral seal late type 89-94 | £226.23 | each | B |
| 24 | Lateral seals @ 1969 to 1989 early type | £177.42 | each | B |
| 24a | Rear bar seal. Blade type early | £230.35 | | |
| | <u>Extras:</u> | | | |
| 25 | Targa roof locking handle (early & late) | £POA | | A |
| 26 | Targa dowel | £17.86 | | A |
| 27 | Targa dowel threaded block | £7.14 | each | A |
| 28 | Targa hook catch | £POA | | |
| 29 | New Targa gutter channels OEM | £POA | as item 14 | A |
| 30 | Targa threaded 2-hole steel block | £6.80 | each | D |
| 31 | ¼ Bracket | £12.96 | each | |
| 32 | ¼ Clamp | £8.25 | each | |
| 33 | Plastic plugs & caps for rear bar seal (set) | £10.61 | set | |
| 34 | ¼ light rubber top stop (911 542 066 41 / 911 542 065 41) | £50.61 | each | |
| 35 | Fitting of top stop | £116.69 | each | |
| 36 | Retrim forward part rear roll bar trim | £23.23 | | |
| 37 | Rear dowel plastic sheaf covers each | £10.12 | | |
| 38 | Rivets for quarter lights in copper | £1.19 | each | |
| 39 | Brush strip for door slot outer | £35.72 | | |
| 40 | Fitting of window lifter rail from | £153.31 | each side | |
| 41 | Rear roll bar plastic plug screws | £2.38 | each | |
| 42 | Rear roll bar rubber seals rear dowel | £3.57 | each | |
| 43 | Targa frame pad trim clips plastic | £1.80 | each | |
| 44 | Lock out latch – rubber coated | £16.43 | each | |
| 45 | 1/4 Light felt window channel 911 542 905 00 early | £71.40 | each | |
| 46 | Pivot set 3.2 / 964 6 piece (without shims / circlips) | £36.75 | supply | |
| 47 | Rear centre location pivot | 8.98 | each | |

911 TARGA UP TO 1994

No's 1&2. Outer cover



No 5. Inner cover



No 13. Roof frame sections

Front frame

No 55. Targa roller catch



No 52. Targa roof locking handle

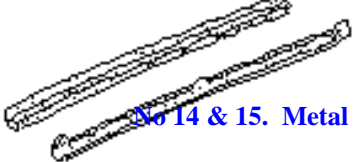


No 51. Lateral seal

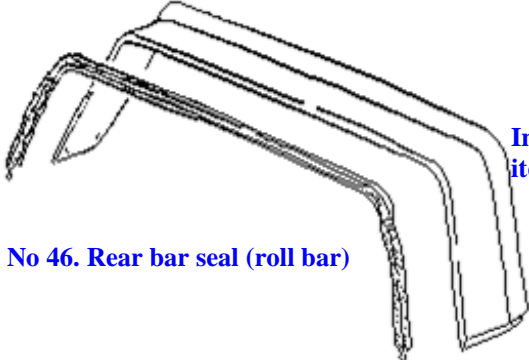
No 14& 15. Metal weather strips



No 51. Lateral seal



No 14 & 15. Metal weather strip



No 46. Rear bar seal (roll bar)

Inner roll bar trim, not itemised

FITTINGS

| | | | | |
|----|---|---------|------|---|
| 1 | Recaro air lumber pad and inflator | £53.97 | inc | B |
| 2 | DIY press stud tool with snaps (Popper Set) | £20.01 | set | C |
| 3 | Door Panel clips, plastic to secure panel to inner door skin | £1.01 | each | D |
| 4 | Door bin mounting block, front | £5.04 | each | A |
| 5 | Door membranes OEM | £33.20 | each | |
| 6 | Door membranes not, OEM | £10.92 | each | |
| 7 | Fasteners for boot carpets - stud on stainless steel plate | £6.25 | each | D |
| 8 | Front windscreen, green tint - not top tint/ariel type, supply only | £POA | | B |
| 9 | Interior Mirror | £POA | | A |
| 10 | Lever knob, to tilt seat forward 1974 to 1998 | £3.77 | | C |
| 11 | Backing plate/plastic behind lever | £5.04 | | C |
| 12 | Seat heater with switch & thermostat control | £175.85 | each | A |
| 13 | Shifting wheel | £POA | | C |
| 14 | Push-in cover for shifting wheel | £POA | | C |
| 15 | Tenax German OE hood button, black finish | £8.79 | each | D |
| 16 | Tenax German OE hood button, chrome finish | £5.64 | each | D |
| 17 | Tenax OE hood stud, black finish (10mm £ 1.50) | £2.55 | each | C |
| 18 | Tenax OE hood stud, chrome finish | £2.18 | each | C |
| 19 | Tread plate in black on sill, carpet OEM | £44.88 | | A |
| 20 | Tread plate in black on sill, aftermarket | £35.18 | | B |
| 21 | Tread plate plastic SC-3.2 etc OEM on sill outer | £35.18 | each | A |
| 22 | Tread plate (carpet) Alloy OEM | £54.58 | | A |
| 23 | Tread plate (carpet) Alloy, aftermarket | £42.45 | | B |
| 24 | Phillips stainless machine screw M8x25, RS touring & sports seats | £1.27 | each | B |
| 25 | Screws, black finish, and surface cup washers | £0.34 | each | D |
| 26 | Screws, chrome finish, and surface cup washers | £0.34 | each | D |
| 27 | Allen bolts M8, shallow head for seat rails | £0.67 | each | B |
| 28 | Allen bolts for seats 6mm x 20mm black, hex cap bolt | £0.48 | each | C |
| 29 | Allen bolts for seats 8mm x 20mm '85 on, hex cap bolt, black | £0.67 | each | C |
| 30 | Straps for fold down backrest, long | £3.77 | each | C |
| 31 | Straps for fold down backrest, short (up to 10cm) | £2.55 | each | C |
| 32 | M8 Nylock nut | £0.14 | each | D |
| 33 | Press stud parts (poppers) | £0.48 | each | D |
| 34 | Press Stud tools 3 piece set | £12.50 | | |

SEALS

| | | | | |
|----|---|---------|------|---|
| 1 | Sunroof seal, brush type, short 911 | £41.23 | | B |
| 2 | Sunroof seal, brush type, long | £58.82 | | B |
| 3 | Coupe door seal 911 up to 1993 | £74.07 | | C |
| 4 | Coupe door seal 911 1994 – 1998 (993) | £143.71 | | A |
| 5 | 911 front screen rubber for up to 1993 | £86.72 | each | B |
| 6 | 911 rear screen rubber for up to 1993 | £86.72 | each | B |
| 7 | Targa and Cabriolet Lower tubular door seals | £44.88 | each | B |
| 8 | Rear side window seal, coupe (opening or fixed type) supply | £POA | | |
| 9 | Bonnet seal | £POA | | |
| 10 | Engine bay seals, pair one long, one short | £POA | | |

MATERIALS

VINYL

| | | | | |
|---|---|--------|-------|---|
| 1 | Blue / black pig skin vinyl + other special order vinyls | £64.37 | metre | D |
| 2 | Basket weave not OE but good for early cars (inc. RS panel early) | £31.26 | metre | D |
| 3 | Vinyl OEM various colours ,pebble grain 1984 to 98 | £65.06 | metre | C |
| 4 | Vinyl - selection available not OE | £28.94 | metre | D |
| 5 | Vinyl – German, from | £61.35 | metre | D |
| 6 | Early 644 smooth black vinyl perf to MK45 | £65.42 | metre | B |
| 7 | Repro 43S black vinyl 1984 to 1998 (BPX – 435) | £43.52 | metre | C |
| 8 | Repro smooth black vinyl (black back) 708 & BSP 644 | £33.57 | metre | D |

LEATHER

| | | | | |
|---|--|---------|-------------------------------------|---|
| 1 | Import leather | £100.55 | per m/2 (min order 5 square metre) | |
| 2 | German, various colours, per hide, approx 50sq.ft | £459.74 | approx per hide | |
| 3 | Thinned leather to 0.5mm (min charge £ 13.65) | £2.90 | sq ft process fee | |
| 4 | <u>ONE OFF SPECIAL @ £ 137.55 per m/2 (5 m/2 min order)</u> | | | |
| 5 | Porsche OE perforation process fee 1/2 hide | £101.87 | | D |
| | or | £27.78 | per seat section | |

CARPET

| | | | | |
|----|--|--------|----------|-------|
| 1 | Merc velour carpet various colours 165 cm wide | £48.05 | sq metre | D |
| 2 | Heel pad carpet with welded heel | £60.78 | each | D |
| 3 | Carpet, wool pile, rubber backed, 1m wide | £47.69 | sq metre | A |
| 4 | Carpet, German OE, 1.5m wide 911 / 928 (1975 – 1998) | £56.15 | sq metre | C |
| 5 | Carpet as item 3 above special order / imports | £64.37 | sq metre | D |
| 6 | Carpet salt & pepper type, early 1970's, 2.0m wide | £72.77 | sq metre | 7.50% |
| 7 | 356ABC boucle carpet (special order colours £POA) | £55.13 | sq metre | B |
| 8 | 356ABC herringbone carpet cloth edge tape | £0.61 | metre | C |
| 9 | Overmat carpet | £25.47 | sq metre | |
| 10 | 40 mm wide cloth herringbone edging | £1.39 | metre | |
| 11 | Bubble felt original floor carpet backing, 1.5mx1.0m sheet | £46.54 | | C |
| 12 | Rubber matting (fine fluted) 1.2m wide | £26.63 | metre | B |
| 13 | Carpet edging in various original colours | £1.51 | metre | D |
| 14 | Perlon | £22.69 | sq metre | F |
| 15 | Sound proofing felt, 1.3mtrs wide x 12mm (1/2") | £22.69 | metre | |
| 16 | Herringbone carpet edging cloth, 25mm | £0.42 | metre | E |
| 17 | Carpet Boxster/996/Cayenne | £52.68 | sq metre | D |
| 18 | Schlinge Mercedes black £ 45.75 m/2 , 2 tone colours | £59.62 | | |
| | | to | £65.65 | |
| 19 | Heel pad material 911 SC/early 3.2 | £24.31 | | |
| 20 | Bubble felt on roll width 148cm | £33.57 | metre | D |
| 21 | Leather edging 32 mm thined to 0.7 mm | £4.19 | metre | |

CLOTH

| | | | | |
|----|---|--------|-------|---|
| 1. | Genuine and if in production and available, 1.4m wide, from | £98.50 | metre | D |
| 2. | Hounds tooth check black / white @ | £98.50 | metre | D |
| 3. | B80 recaro sport cloth | £91.46 | metre | |
| 4. | Alcantara (standard colour range = 45 colours) | £98.40 | metre | |
| 5 | Corduroy cloth black early type (narrow) | £93.98 | metre | |

ROOF MATERIALS

| | | | | |
|---|---|--------|-------|---|
| 1 | Targa roof material OE, 0.9m wide | £ POA | | C |
| 2 | Targa roof material OE, 1.4m wide | £44.57 | metre | C |
| 3 | Mohair hooding, 1.4m wide from | £73.51 | metre | D |
| 4 | Headliner vinyl, perf & plain, Not OEM | £29.30 | metre | E |
| 5 | Headliner vinyl, perf & plain, OEM | £47.46 | metre | D |
| 6 | ¼ " Foam running metre | £14.50 | metre | D |
| 7 | Headliner, Targa/Recaro black plain cloth | £47.69 | metre | C |

GLUES – Collection Only

| | | | | |
|---|---------------------------|--------|-----|--|
| 1 | Contact adhesive, ½ litre | £11.03 | can | |
| 2 | Contact adhesive, 1 litre | £21.50 | can | |
| 3 | Spray glue | £4.97 | can | |
| | high strength | £10.48 | can | |

WINDOWS

| | | | | |
|---|--|--------|-------|---|
| 1 | Boxster Green tint window 1307mm x 609mm, 1.00mm thick | £46.54 | sheet | D |
| 2 | 911/944/968 clear window 1730mm x 737mm, 1.00mm thick | £58.46 | sheet | G |
| 3 | Bronze window 1570mm x 736mm, 1.00mm thick | £52.68 | sheet | F |

THREADS

| | | | | |
|---|---|--------|-------|--|
| 1 | Sewing thread, machine, Nr20 = 600m | £20.27 | spool | |
| 2 | Sewing thread, machine, Nr30 = 900m | £20.27 | spool | |
| 3 | Sewing thread, machine, Nr25 = 2000m resant | £37.04 | spool | |
| 4 | Sewing thread, hand | £POA | | |

SUNDRIES

| | | | | |
|----|--|--------|-----------------|--|
| 1 | Millboard | £11.93 | sheet | |
| 2 | Calico | £7.18 | metre | |
| 3 | Hessian 72 inch wide | £6.60 | metre | |
| 4 | Hardura | £24.31 | metre | |
| 5 | Black vinyl spray | £22.81 | per can | |
| 6 | Vinyl prep small screw cap can | £9.03 | each | |
| 7 | Blue foam 6 mm | £7.18 | per sq metre | |
| 8 | Blue foam 12mm | £13.20 | per sq metre | |
| 9 | Blue 12mm made to scrim ready to use to, EG seat centres | £22.69 | per sq metre | |
| 10 | Hog rings per stick (approx. 60 per stick) | £2.90 | per stick | |

ORIGINAL MATERIALS AND CODES

| | Leather Colour | Code | Remarks |
|-----|------------------------------|--------------------|----------------|
| 1. | Black | YDX 000 000 00 1AJ | 1984 to 1990 |
| 2. | Black | YDS 000 000 00 8YR | From 1991 |
| 3. | Schiefer Grey | YDX 000 000 00 2WT | 1989 - 1990 |
| 4. | Grau (Grey) Green | YDX 000 000 00 5JX | 1985 - 1989 |
| 5. | Marine Blue | YDS 000 000 00 7JX | 1987 - 1990 |
| 6. | Midnight Blue | YDS 000 000 00 H24 | 1995 - |
| 7. | Maritime Blue | YDS 000 000 00 G55 | 1992 only |
| 8. | Classic Grey | YDS 000 000 00 6XL | 1991 - 1996 |
| 9. | Marmograu (Marble Grey) | YDS 000 000 00 3QN | 1995 - |
| 10. | Licht Grau (Light Grey) | YDS 000 000 00 8ZL | 1991 - 1994 |
| 11. | Savanah Beige | YDS 000 000 00 S30 | 1997 - |
| 12. | Kastanien (Chesnut) Braun | YDS 000 000 00 T15 | 1994 - |
| 13. | Linen | YDX 000 000 00 7VX | 1987 - 1990 |
| 14. | Pearl White | EHX 000 000 00 8YD | 1983 - 1987 |
| 15. | Burgundy (Wine Red) | YDX 000 000 00 7LD | 1983 - 1990 |
| 16. | Magenta | YDS 000 000 00 6YL | 1991 - 1994 |
| 17. | Boxster Red | YDS 000 000 00 M30 | 1997 - |
| 18. | Flamenco Red | YDS 000 000 00 8SE | 1994 - 1996 |
| 19. | Matador Red | YDS 000 000 00 MO5 | 1991 - 1994 |
| 20. | Lipstick Red (Plum) | YDX 000 000 00 1MC | 1987 only |
| 21. | Can-Can Red | YDX 000 000 00 8OS | 1981 - 1987 |
| 22. | Cedar Green | YDS 000 000 00 KO3 | 1994 - 1996 |
| 23. | Nephrite Green | YDS 000 000 00 J30 | 1997 - |
| 24. | Ferrari Geld (Speed Yellow) | | |
| 25. | Graffitigräu (Graphite Grey) | YDS 000 000 00 C50 | 1998 - |
| 26. | Space Grey | YDS 000 000 00 B50 | 1998 - |
| 27. | Metropol Blue | YDS 000 000 00 G10 | 1998 - |
| 28. | Dark Grey Natural | | |
| 29. | Brown Natural | | |
| 30. | Zimtbraun (Cinnamon) | | |
| 31. | Kashmir Beige | YDS 000 000 00 4YU | 1991 - 1997 |
| 32. | Cobalt Blue | YDS 000 000 00 9YL | 1991 - 1994 |
| 33. | Sherwood Green | YDS 000 000 00 J25 | 1991 - 1994 |
| 34. | Carrera Grey | YDS 000 000 00 D35 | 1991 - 1994 |
| 35. | Wimbledon Green | YDS 000 000 00 J17 | 1992 - 1993 |
| 36. | Grey Beige | EHX 000 000 00 6FL | 1983 - 1986 |
| 37. | Blue | EHX 000 000 00 3OB | To 1987 |
| 38. | Brown | EHS 000 000 00 3NG | 1979 to 1982 |
| 39. | Provence Blue | YDS 000 000 00 G43 | 1995 - 1996 |
| 40. | Rubicon Grey | YDS 000 000 00 E38 | 1994 only |
| 41. | Palm Green | | |
| 42. | Steingrua (Stone Grey) | | |
| 43. | Stahlgräu (Steel Grey) | | |
| 44. | Havanna | | |
| 45. | Sand Beige | | |
| 46. | Silk Grey | 000 000 00 5VT | 1989-90 |

Minimum order from stock is ½ Hide. If we do not have available colours in stock, the minimum order is for 5 Hides from OEM manufacturer.

| | Fabric Colour | Code |
|---|---|--------------------|
| 1 | Berber, Grau/Schwarz (Grey/Black) | TPE 000 000 00 67B |
| 2 | Berber, Grau/Beige (Grey/Beige) | TPB 000 000 00 1FB |
| 3 | Flanellstreifen (Flannel Pinstripe), Burgundy | TPC 000 000 00 1MF |
| 4 | Flanellstreifen (Flannel Pinstripe), Grau-Turkis (grey-Turquoise) | TPD 000 000 00 8JJ |

| | | |
|----|---|--------------------|
| 5 | Flanellstreifen (Flannel Pinstripe), Grau-Ockergelb | TPD 000 000 00 9VJ |
| 6 | Flanellstreifen (Flannel Pinstripe), Grau-Weinrot | TPD 000 000 00 6LJ |
| 7 | Flanellstreifen (Flannel Pinstripe), Brown 1975 - 1982 | TPC 000 000 00 2TF |
| 8 | Schottenkaro Rot/Blau (Tartan Red/Blue) 1977 - 1982 | 999 551 081 40 8AB |
| 9 | Schottenkaro Grün/Blau (Tartan Green/Blue) 1977 - 1982 | 999 551 081 40 2AC |
| 10 | Schottenkaro Braun/Beige (Tartan Brown/Beige) 1977 - 1982 | 999 551 081 40 4AD |
| 11 | Tweed | 999 551 034 40 3OO |
| 12 | Uni Stoff Blue | TPU 000 000 00 30C |
| 13 | Nadel Streifen (Pin Stripe) Velour, Burgundy | TPB 000 000 00 1MJ |
| 14 | Nadel Streifen (Pin Stripe) Velour, Grau/Grün | TPC 000 000 00 3JV |
| 15 | Nadel Streifen (Pin Stripe) Velour, Brown | TPB 000 000 00 3NN |
| 16 | Schachbrett (Pasha) Velour, Black/Grey | TPB 000 000 00 4FB |
| 17 | Schachbrett (Pasha) Velour, Braun (Brown) | TPB 000 000 00 5RH |
| 18 | Schachbrett (Pasha) Velour, Blau/Grau (Blue/Grey) | TPB 000 000 00 7GH |
| 19 | Porsche Script, Light Grey-Beige 1985 - 1989 | TPC 000 000 00 8BY |
| 20 | Porsche Script, Braun (Brown) 1985 - 1989 | TPC 000 000 00 7NZ |
| 21 | Porsche Script, Grau-Beige (Grey-Beige) 1985 - 1989 | TPC 000 000 00 5UY |
| 22 | Porsche Script, Weinrot (Burgundy) 1985 -1990 | TPC 000 000 00 5LZ |
| 23 | Porsche Script, Grau-Grün (Grey-Green) 1985 - 1989 | TPC 000 000 00 1JK |
| 24 | Porsche Script, Leinen (Linen) 1989 - 1991 | TPC 000 000 00 5WZ |
| 25 | Porsche Script, Kaschmir (Cashmere) 1989 - | TPC 000 000 00 7TH |
| 26 | Porsche Script, Magenta 1991 - 1995 | TPC 000 000 00 9YC |
| 27 | Porsche Script, Cobalt Blau 1991 - 1995 | TPC 000 000 00 7ZK |
| 28 | Porsche Script, Black 1985 - 1998 | TPC 000 000 00 2CZ |
| 29 | Porsche Script, Light Grey 1991 - 1995 | TPC 000 000 00 2ZV |
| 30 | Porsche Script, Grey, Red Script | Unknown |
| 31 | Cordstoff (Sport Cloth RS Buckets), Black 1992 - | TPD 000 000 00 B80 |
| 32 | Studio Check, Marine Blau | TPD 000 000 00 9JV |
| 33 | Studio Check, Silver Rose | TPD 000 000 00 |
| 34 | Dunes, Savanna-Beige | TPH 000 000 00 S30 |
| 35 | Corduroy, Black 1967 - 1974 | 999 551 032 40 700 |

| | Kunstleder (Vinyl/Leatherette, Seating & Panels) Colour | Code |
|----|--|--------------------|
| 1 | Blue | BPX 000 000 00 1HH |
| 2 | Burgundy | BPX 000 000 00 3MK |
| 3 | Klassik Grau (Classic Grey) | BPX 000 000 00 5WH |
| 4 | Nacht Blau (Midnight Blue) | BPX 000 000 00 5HE |
| 5 | Marine Blau | BPX 000 000 00 1KX |
| 6 | Marmograu (Marble Grey) | BPX 000 000 00 7EB |
| 7 | Cobalt Blau | BPX 000 000 00 5ZF |
| 8 | Schwarz (Black) | BPX 000 000 00 43S |
| 9 | Kastanien Braun (Chestnut Brown) | BPX 000 000 00 6PC |
| 10 | Magenta | BPX 000 000 00 9WX |
| 11 | Lichtgrau (Light Grey) | BPX 000 000 00 3ZT |
| 12 | Kaschmir Beige (Cashmere Beige) | BPX 000 000 00 7RT |
| 13 | Savanna Beige – Boxster | BSK 000 000 00 S30 |
| 14 | Brown Vinyl – Not OE, up to 1982 (911 SC) | |
| 15 | Black – 911 SC Type, up to 1982 | |
| 16 | Grey Beige | BPX 000 000 00 4FK |
| 17 | Grey Green | 4JX |
| 18 | Linen, 1987 | 4WX |
| 19 | Black (Early Smooth 644) | 999 551 002 40 708 |
| 20 | Light Grey (Beige) | BPX 000 000 00 2DX |
| 21 | Marine Blue | 1KX |

| | Himmel (Headliner), as seating vinyl for ID purposes, colour | Code |
|---|---|-------------|
| 1 | Grey Beige Perforated | 4FK |
| 2 | Chestnut Brown Plain | 6PC |
| 3 | Chestnut Brown Perforated | 6PC |
| 4 | Classic Grey Plain | 5WH |

| | | |
|----|----------------------------------|-----|
| 5 | Classic Grey Perforated | 5WH |
| 6 | Magenta Perforated | 9WX |
| 7 | Wine Red (Burgundy) Perforated | |
| 8 | Black Plain 993 | |
| 9 | Ivory (Not OEM) | |
| 10 | Marine Blue Perforated | |
| 11 | Kobalt Blue Perforated | |
| 12 | Night Blue Plain 993 | |
| 13 | Targa Cloth Headliner Black | |
| 14 | Cabriolet Mohair Headliner Black | |

| | Carpet Colour | |
|----|---|--------------------|
| 1 | Black 1976 – 1989 | 70E |
| 2 | Black 1989 – 1998 | 5VF |
| 3 | Marine Blue 1987 – 1988 | 3KF |
| 4 | Marine Blue 1989 – 1994 | 4KV |
| 5 | Night Blue 1994 – 1998 | 3GE |
| 6 | Cobalt Blue 1991 – 1994 | 4ZN |
| 7 | Provence Blue 1994 – 1996 | 1HQ |
| 8 | Rubicon Grey 1994 | 8AS |
| 9 | Classic Grey 1991 – 1998 | 4XR |
| 10 | Schiefer Grey 1989 – 1990 | 3WT |
| 11 | Matador Red 1991 – 1994 | M33 |
| 12 | Boxster Red (993) 1997 – 1998 | TLV M30 |
| 13 | Boxster Red (996/986) 1997 and on | TTA M30 |
| 14 | Space Grey (996/986) 1997 and on | TTA B50 |
| 15 | Graffiti Grey (996/986) 1997 and on | TTA C50 |
| 16 | Black (996/986) 1997 and on | TTA A10 |
| 17 | Dark Grey, Natural | TTA |
| 18 | Metropol Blue (996/986) 1997 and on | TTA G10 |
| 19 | Boucle Anthraxit 356 911/912 | |
| 20 | Perlon, Black RS 1972 | |
| 21 | Perlon, Grey 911/912 (also boot) | 000 551 572 00 700 |
| 22 | Velour (Salt & Pepper) 1967 – 1974 | 000 551 570 00 700 |
| 23 | Boucle Beige 356 911/912 till 1967 | |
| 24 | Light Grey (Silver) 1991 – 1994 | 6YR |
| 25 | Magenta 1991 – 1994 | 8WZ |
| 26 | Burgundy 1982 – 1988 | 80E |
| 27 | Burgundy, Metallic 1989 – 1990 | 8MD |
| 28 | Chestnut Brown 1994 – 1997 | 6SC |
| 29 | Velvet Red 1989 | 9MT |
| 30 | Flamenco Red 1995 – 1997 | 3TE |
| 31 | Lipstick Red 1987 – 1989 | 4MM |
| 32 | Can Can Red 1983 – 1986 | 8OS |
| 33 | Brown 1979 – 1986 | 40E |
| 34 | Mahogany 1987 – 1989 | 5MF |
| 35 | Caramel 1987 – 1989 | 5UM |
| 36 | Cashmere Beige 1989 – 1998 | 8UT |
| 37 | Savanna Beige 1997 and on | TTA S30 |
| 38 | Champagne 1983 – 1988 | 1VD |
| 39 | Cork 1976 – 1980 | 4ID |
| 40 | Grey Beige 1983 – 1986 | 2FL |
| 41 | Light Grey (Beige) 1983 – 1986 | 6OA |
| 42 | Linen 1987 – 1990 | 2XF |
| 43 | Silk 1989 – 1990 | 7VT |
| 44 | Marble Grey (Florentine Grey) 1992 – 1996 | D50 |
| 45 | Carrera Grey 1991 – 1994 | D13 |
| 46 | Grey Green 1985 – 1989 | 8JK |
| 47 | Venetian Blue 1987 – 1990 | 3KM |
| 48 | Nephrite Green 1997 – 1998 (993) | TLV J30 |

| | | |
|----|--------------------------------------|---------|
| 49 | Nephrite Green (996/986) 1997 and on | TTA J30 |
| 50 | Wimbledon Green 1992 – 1994 | K20 |
| 51 | Green 1979 – 1982 | 20S |
| 52 | Sherwood Green 1991 – 1994 | J23 |
| 53 | Cedar Green 1994 – 1997 | 2JP |